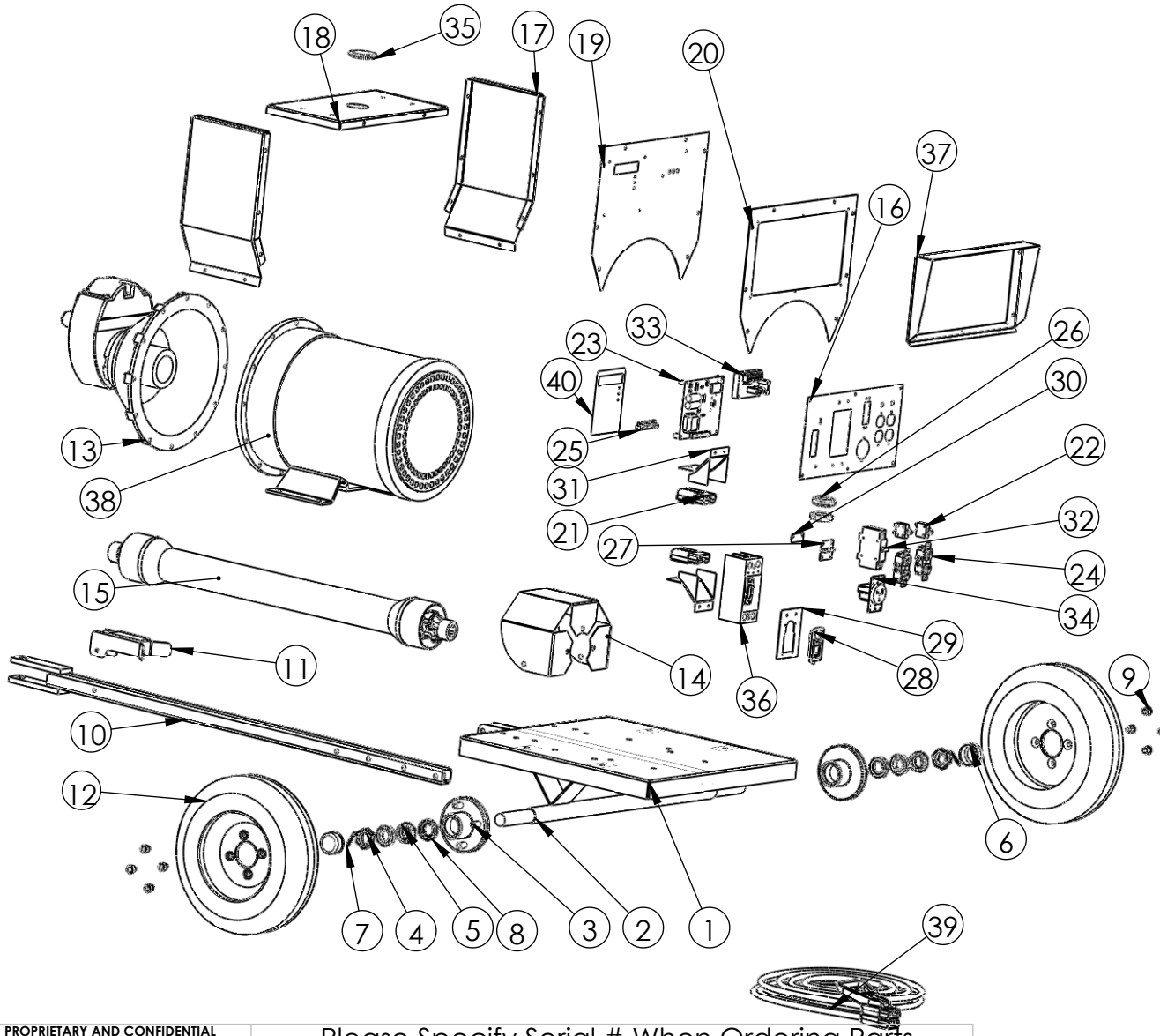


# QC30 Generator



ITEM NO.	PART NUMBER	DESCRIPTION	QTY.
1	G2079	30KW Trailer	1
2	G2035	30KW Trailer Axel	1
3	G2034	4 Bolt Hub	2
4	G2020	Spindle Nut	2
5	G2023	Tapered Hub Bearing	4
6	G2022	Dust Cap	2
7	G2019	Spindle Pin	2
8	G2021	Grease Seal	2
9	G2018	Wheel Nut	8
10	G2037	30KW Toungue	1
11	G2030	30KW PTO Support	1
12	G2017	Tire & Rim 16"	2
13	G2061	540 RPM 30 Kw OMNI	1
14	G2077	30 KW A PTO Gaurd	1
15	G2011	540 RPM 30KW PTO	1
16	G2062	QC55, QC30 Panel	1
17	G2055	QC30-2 Side Panel	2
18	G2054	QC30 Top Panel	1
19	G2053	QC30 Front Panel	1
20	G2052	QC30 Back Panel	1
21	E2010	175 AMP And. Connector	2
22	E2000	20A Switch	2
23	E2017	Display Master 1	1
24	E2004	Duplex Receptical	2
25	E2018	Plug	1
26	E2019	300-5 CT	2
27	G2012	Mini Stainless Hinge	1
28	G2013	Mini-Lock	1
29	G2015	Hinge Mount	1
30	G2048	Space Plate	1
31	G2059	175 AMP Aderson Bracket	2
32	E2005	50 Amp Breaker	1
33	E2020	Voltage Regulator	1
34	E2001	Welder Receptical	1
35	G2060	Plastic Cap	1
36	E2015	125 A Breaker	1
37	G2068	QC30 Rain Cover	1
38	E2044	Generator QC30	1
39	E2047	10 Foot #4 Cord Kit	1
40	E2055	Display Master 1 Sticker	1
41	G2036	30KW Trailer Deck	1

**PROPRIETARY AND CONFIDENTIAL**  
 THE INFORMATION CONTAINED IN THIS DRAWING IS THE SOLE PROPERTY OF BAUMALIGHT. ANY REPRODUCTION IN PART OR AS A WHOLE WITHOUT THE WRITTEN PERMISSION OF BAUMALIGHT IS PROHIBITED.

Please Specify Serial # When Ordering Parts

**BAUMALIGHT**

MTB MFG INC.  
 4575 Powel Rd. Tel: (519) 698-9864  
 RR# 1, Wallenstein Fax: (519) 698-1087  
 ON, N0B 2S0 Email: menno@mtbmfg.ca  
 Web: www.mtbfmg.ca