

# BAUMAN MANUFACTURING



***220 DROP SPREADER***

## ***OPERATOR'S MANUAL***



**BAUMAN  
MANUFACTURING**  
BACKED BY A TRADITION OF QUALITY

**MODEL:**

---

**SERIAL NUMBER:**

---

**PURCHASE DATE:**

---

**DEALER/WHERE PURCHASED:**

---

DOCUMENT REVISION: DECEMBER 2018



**BAUMAN**  
MANUFACTURING

**3 INDUSTRIAL DRIVE**  
**ELMIRA, ON N3B 2S1**  
**PHONE: (519)669-4333**  
**FAX: (519)669-2431**  
[WWW.BAUMANMFG.COM](http://WWW.BAUMANMFG.COM)



# Contents

INTRODUCTION..... 1

GENERAL INFORMATION ..... 3

SPREADING MATERIAL..... 3

MAINTENANCE..... 3

SAFETY..... 4

220 PARTS LIST ..... 5

INSTALLATION LOCATIONS ..... 6

WARRANTY INFORMATION..... 9

# INTRODUCTION

Congratulations on your purchase of a Bauman Drop Spreader! This spreader has been designed and manufactured to enable operators to carry out their work safely and efficiently.

The Bauman Drop Spreader is capable of spreading sand, salt, grit, or similar materials and should only be used for this purpose. Correct usage of the machine also includes following the factory's preparation, operation and maintenance instructions.

This manual will help you understand the proper maintenance and operation of the spreader in order to maximize the longevity and effectiveness of the machine. All information, illustrations and technical specifications in this manual are based on the most recent product information available at the time of printing.

Bauman Manufacturing reserves the right to change the design and specifications and/or make additions and improvements to the product without notice.



## GENERAL INFORMATION

***The operator must read and understand the information in this manual to ensure the correct service and operation of the machine and avoid unnecessary risk of accidents and breakdowns.***

## SPREADING MATERIAL

### ADJUSTING SPREAD QUANTITY

The spreading quantity is adjusted with the tension adjustment lever. Correct adjustment is important. If the adjustment is too tight, unnecessary wear of the rubber belts or rotating parts may occur. If the adjustment is too slack, distribution of material will be uneven.

### STARTING TO SPREAD

Spreading of material starts as soon as the unit is rolled forwards or backwards.

## MAINTENANCE

**Important:** All moveable parts must be greased regularly for the best performance. To extend the durability of the machine, frequent and thorough cleaning is recommended. Set spring tension to loosest setting for ease of cleaning the machine and use plenty of water when cleaning to avoid material freezing on the roller or rubber belts.

**Remember:** Do not spray water directly into bearings or bearing housings. If the machine is stored for a lengthy period of time, spray it with acid-free oil before use. Remove all foreign material from the roller. Check and lubricate all chain and bearings regularly.

***It is important to properly maintain and service your spreader. Failure to comply with the manufacturer's suggested servicing procedures may result in premature wear and may hinder the machine's performance.***

# SAFETY

The Bauman Drop Spreader has been designed for single person operation only. The operator should ensure that no one is close to the area where the machine is in use. Do not let others ride or sit on the spreader.

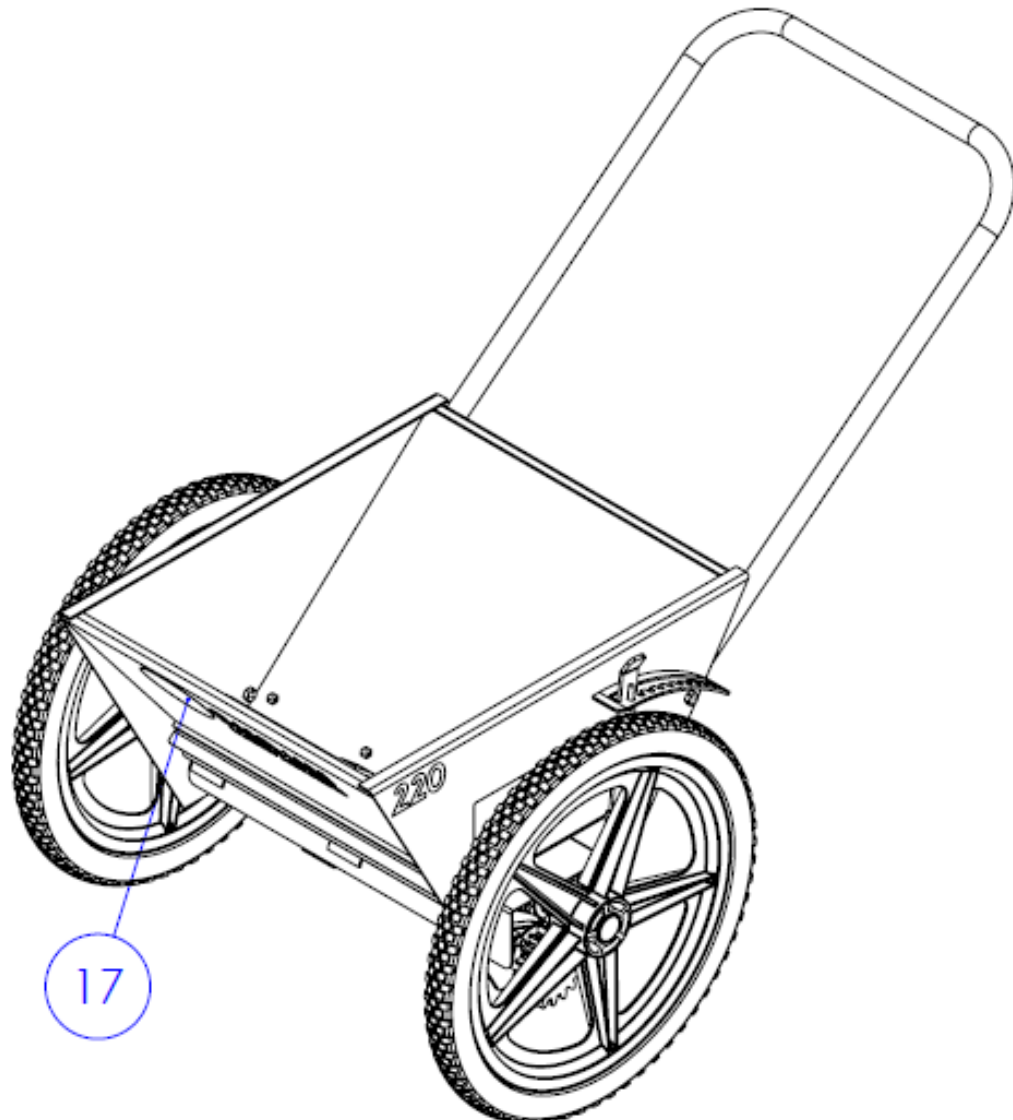
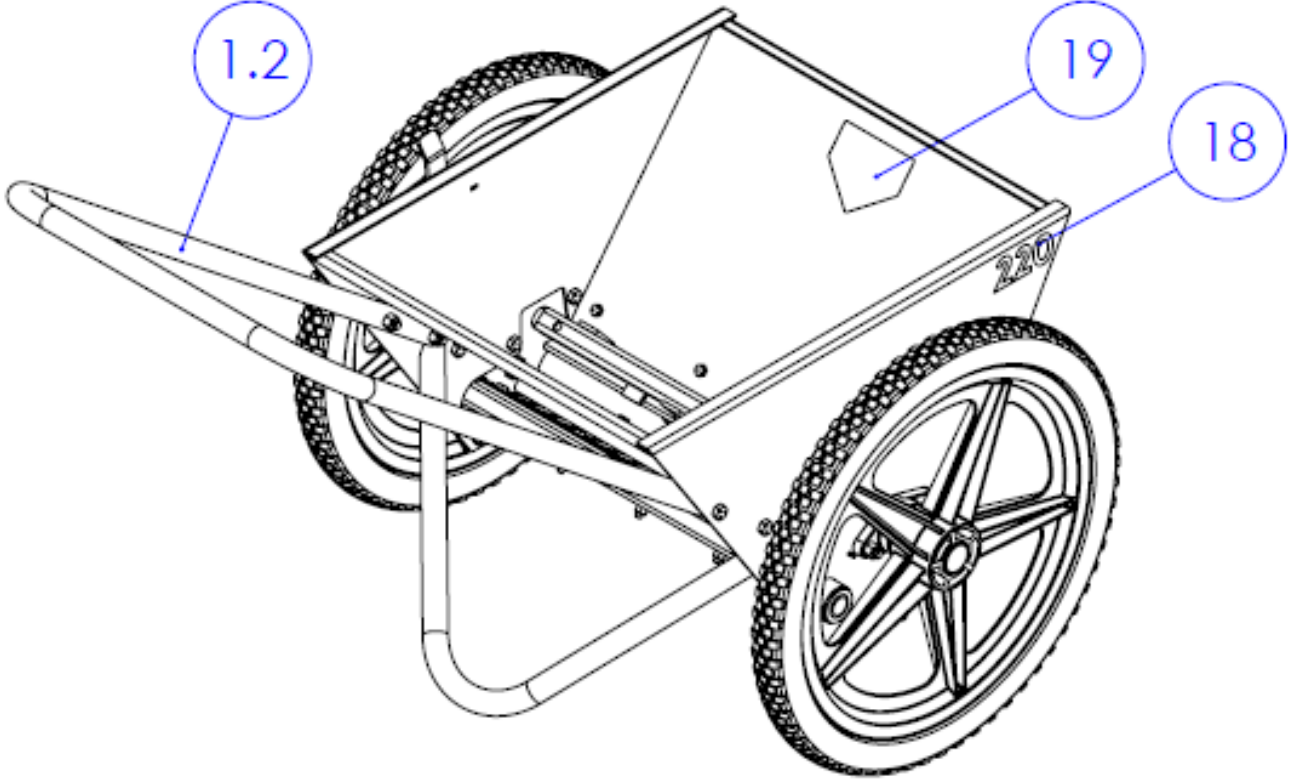
The danger labels on Bauman Manufacturing equipment are for the safety of the operator as well as pedestrians and bystanders. Read and obey warning and danger labels. Stay clear of all moving parts and rotating shafts and ensure no one reaches into the hopper when it spreader is in operation.



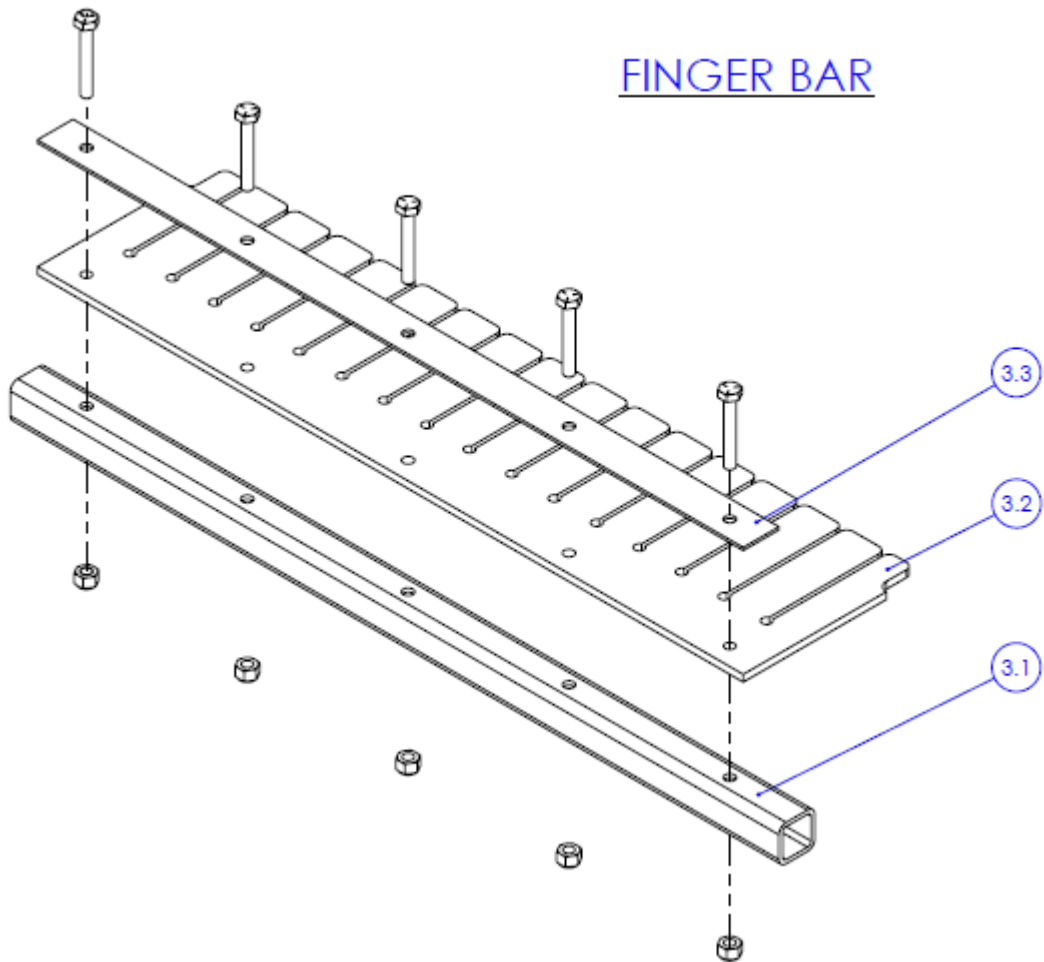
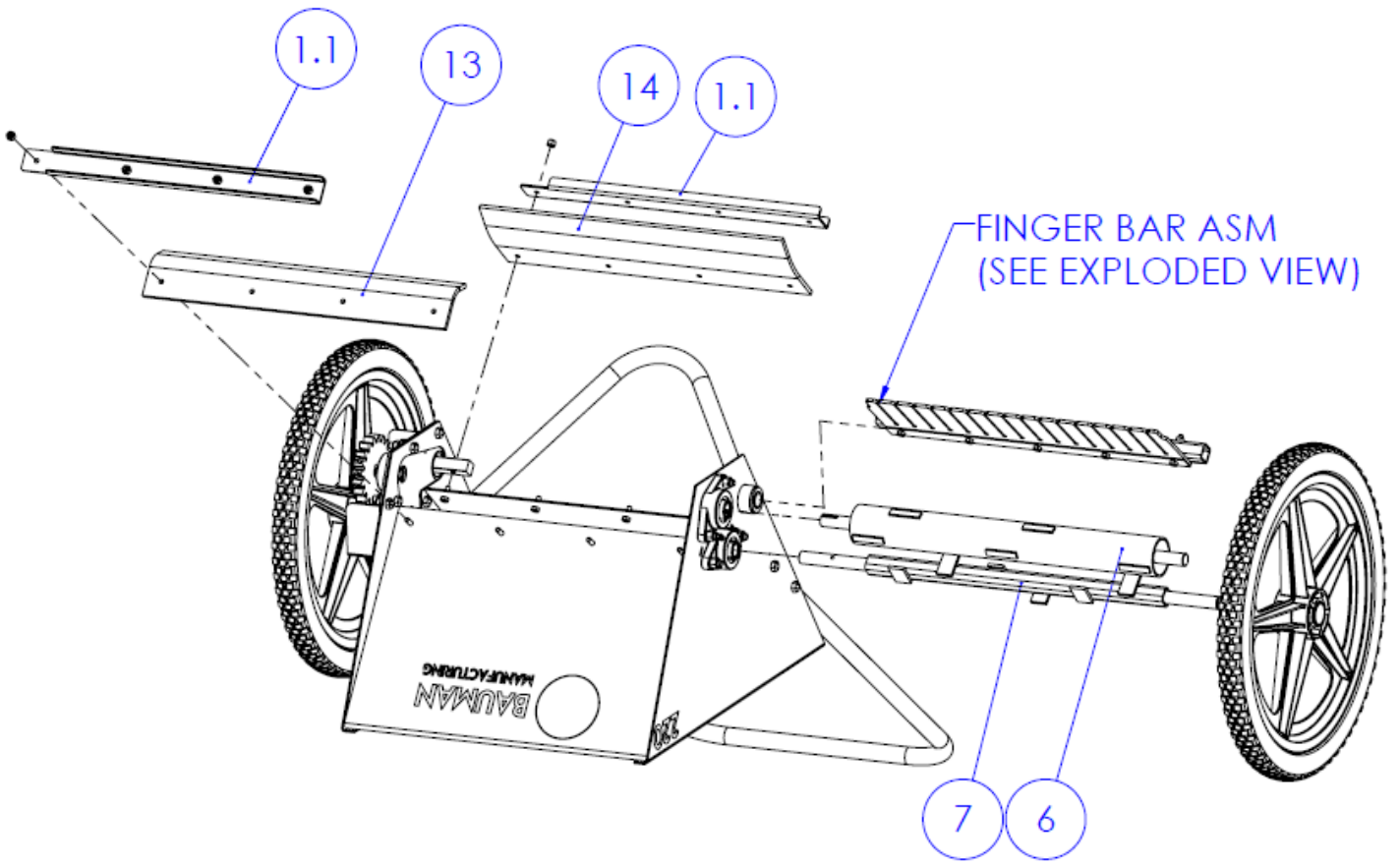
## 220 PARTS LIST

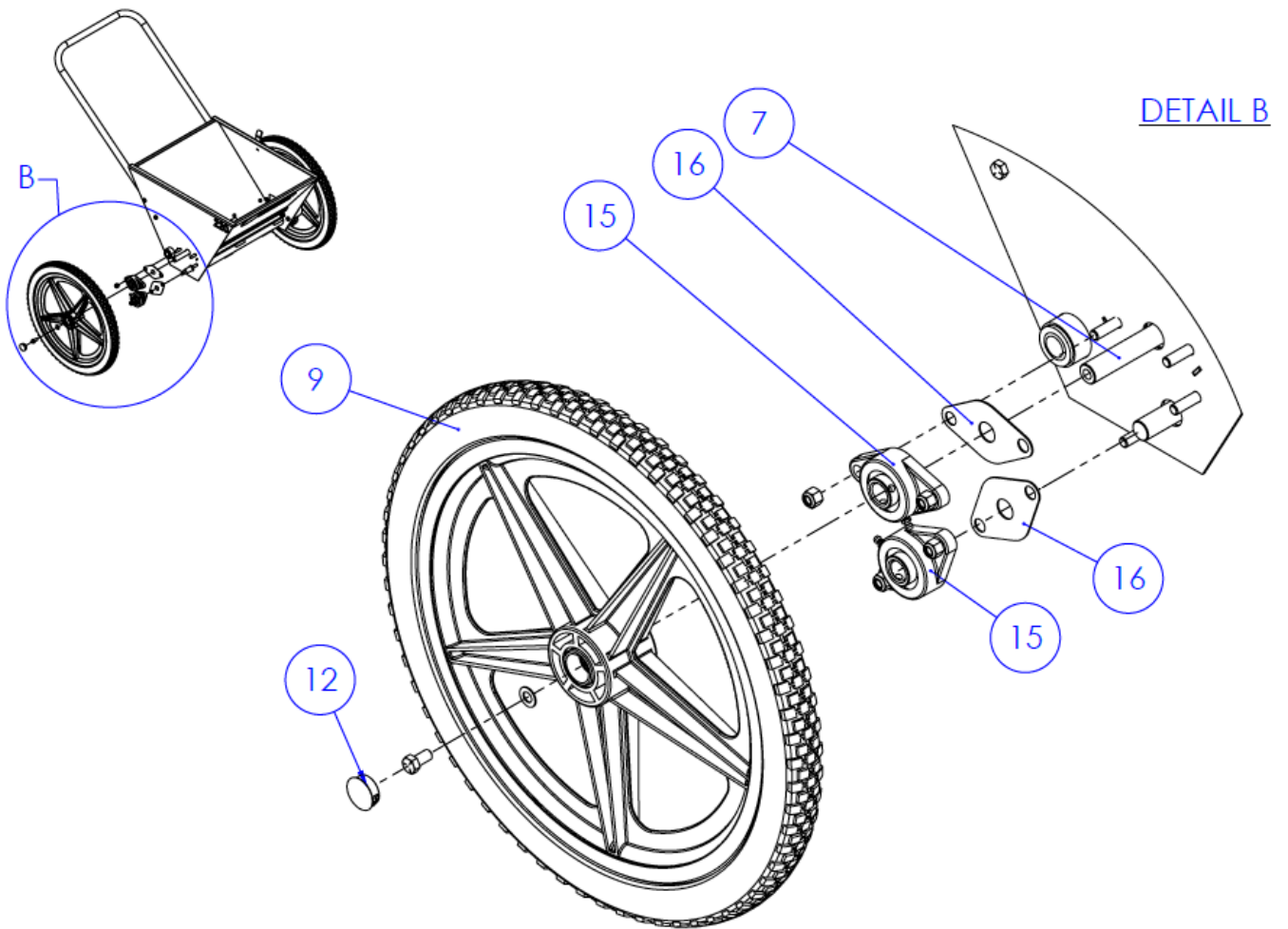
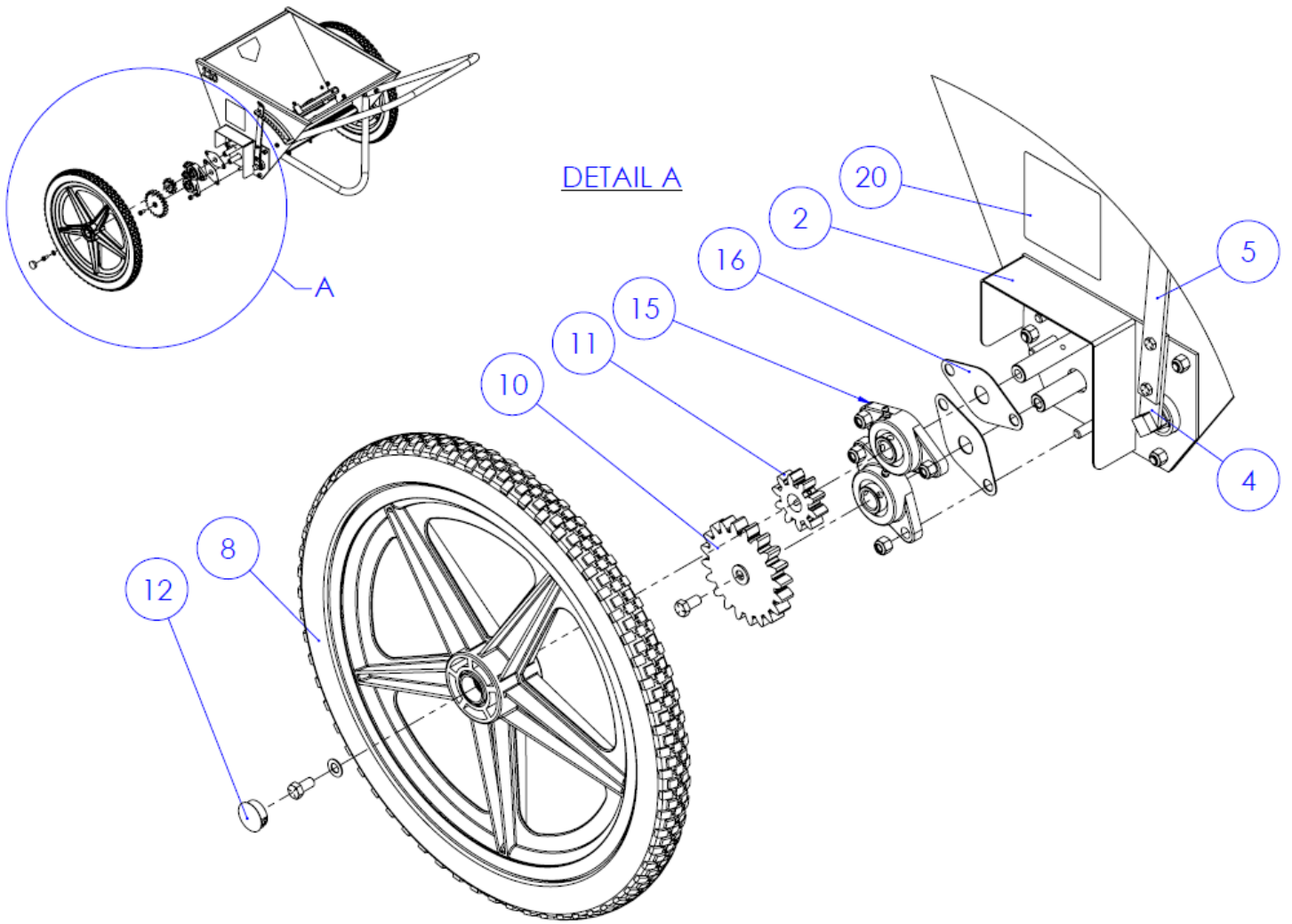
ITEM #	PART NUMBER	DESCRIPTION	QTY.
1	220 100	HOPPER WELDMENT	1
1.1	220 CHANNEL (220 100-05)	CLAMP BAR FOR RUBBER	2
1.2	220 HANDLE	HANDLE	1
2	220 200	BEARING PLATE	1
3	220 301	FINGER BAR ASSEMBLY	1
3.1	220 301 TUBE	FINGER BAR TUBE	1
3.2	220 R-24527	FINGER BAR "RED" 5"x19 3/4"x3/16"	1
3.3	220 301 GALV STRIP	FINGER BAR STRIP	1
4	220 401	TENSION LEVER MOUNT	1
5	220 402	TENSIONS LEVER HANDLE	1
6	220 302	DISTRIBUTOR DRUM	1
7	220 303	AGITATOR	1
8	220 WHEEL LEFT	WHEEL ASSEMBLY - LEFT	1
9	220 WHEEL RIGHT	WHEEL ASSEMBLY - RIGHT	1
10	220 GEAR-20	SPUR GEAR-20 TOOTH WELDMENT	1
11	220 GEAR-10	SPUR GEAR-10 TOOTH	1
12	245-034	NYLON HOLE PLUG	2
13	220 SB60-20	RUBBER FLAP-DRUM	1
14	220 SB50-20	RUBBER FLAP-FINGER BAR	1
15	UCFL 204-12	TWO BOLT FLANGE BEARING	4
16	BSFL 204-12	BEARING BACKSTOP-NEOPRENE	4
17	DECAL BAUMAN LOGO 12"	BAUMAN LOGO 12" WITH WHITE LETTERING	1
18	DECAL2202016	220 DECAL	2
19	DECALW803	KEEP HANDS/FEET AWAY	1
20	DECALSW404	MOVING PART HAZARD	1

# INSTALLATION LOCATIONS









## **WARRANTY INFORMATION**

### **One Year Limited Warranty**

If the unit fails to operate within one year from date of purchase because of defects in materials or workmanship, Bauman Manufacturing will, at its option, either replace or repair such components for the original purchaser. This warranty does not cover damage resulting from accident, misuse or abuse, water, tampering, servicing performed or attempted by unauthorized agencies, or units that have been modified in any fashion. If the components do not perform as warranted herein, the original purchaser's sole remedy will be the repair or replacement of the components as provided above. Bauman Manufacturing products are not intended for applications where a failure could result in a costly, dangerous or life-threatening situation. Bauman Manufacturing will not be held responsible for damages or losses greater than the cost of the Bauman Manufacturing replacement parts. In no event will Bauman Manufacturing be liable for damages, lost revenue, lost wages, lost savings or any other incidental or consequential damages, domestic or international, rising from the purchase and use or inability to use the components, even if Bauman Manufacturing has been advised of the possibility of such damages. Except as provided herein, Bauman Manufacturing makes no warranties, expressed or implied, including without limitation, the implied warranties of merchantability and fitness for a particular purpose, with respect to the components. All warranties for the components expressed or implied, are limited to the warranty period set forth above.

### **WARRANTY SERVICE**

In order to obtain the remedy of repair or replacement parts, contact Bauman Manufacturing.



**3 INDUSTRIAL DRIVE  
ELMIRA, ON N3B 2S1  
PHONE: (519)669-4333  
FAX: (519)669-2431  
[WWW.BAUMANMFG.COM](http://WWW.BAUMANMFG.COM)**

