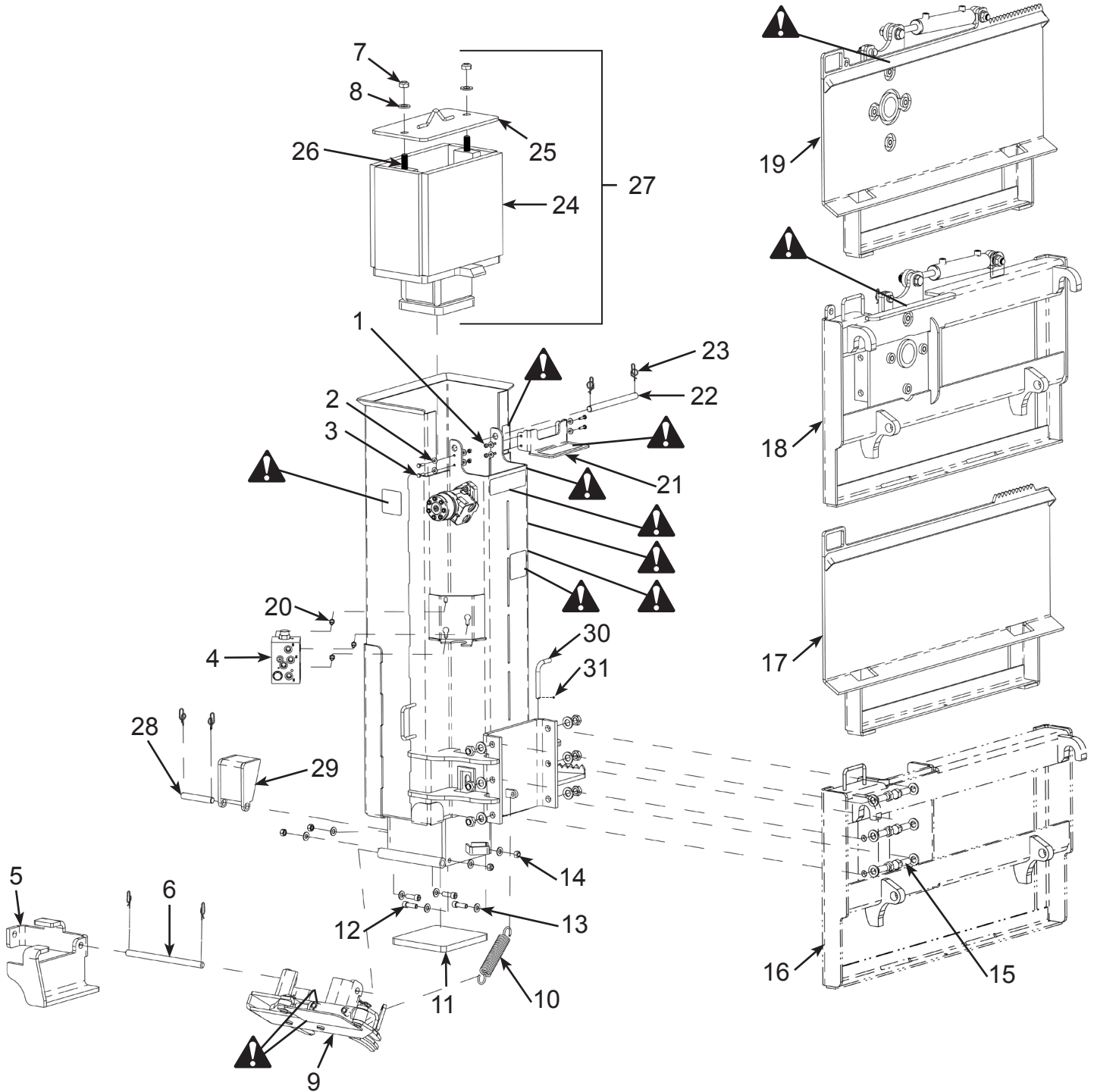


# Parts

 = Safety Sign Location



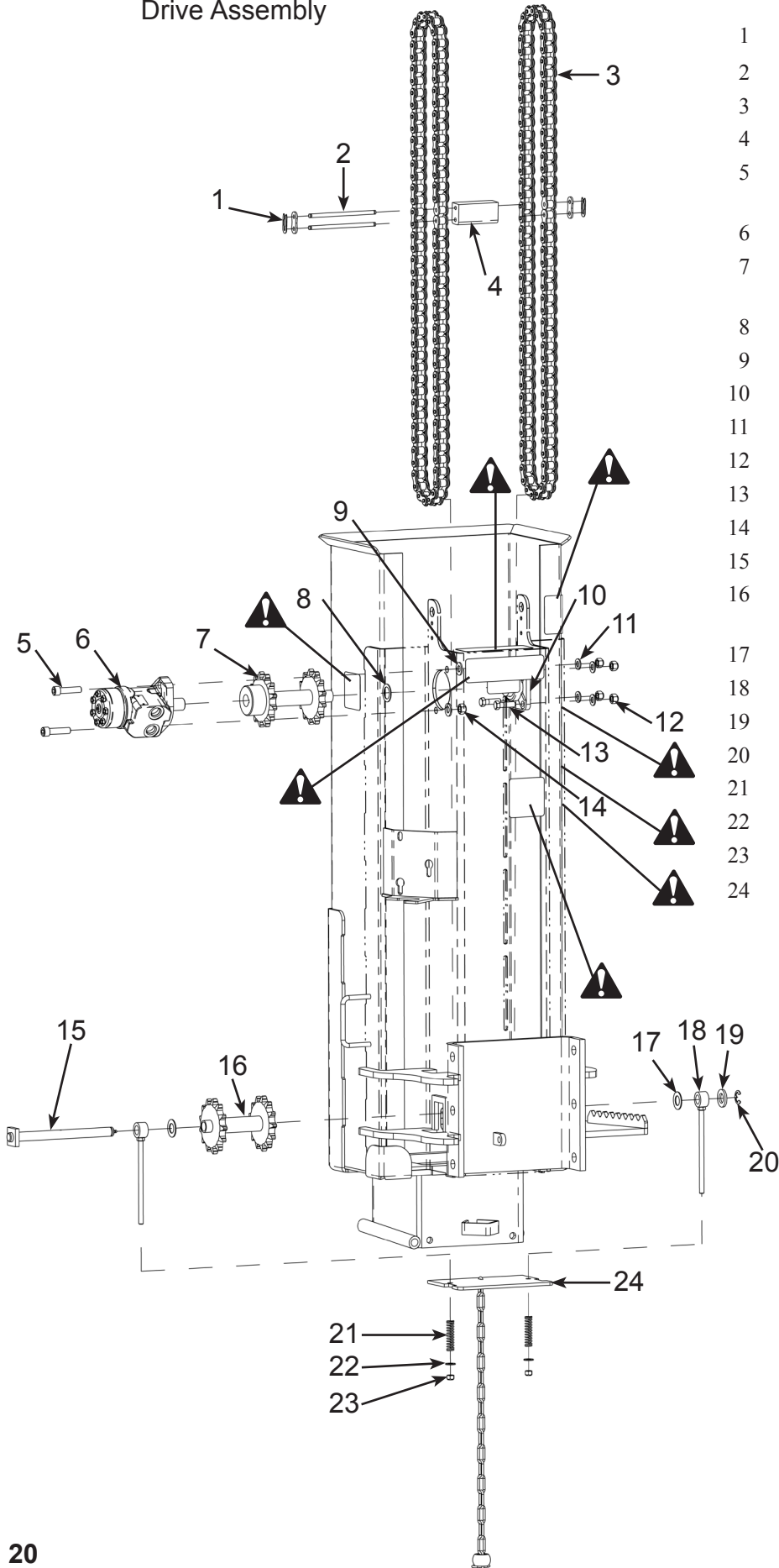
# Parts

(continued)

REF. NO.	PART NO.	DESCRIPTION	QTY.
1	10195	Toplock Nut (1/4"-20)	4
2	21056	1/4" Flat Washer	4
3	21055	Bolt (1/4"-20 x 1")	4
4	21214	Hydraulic Manifold	1
5	21169	Foot	1
6	21079	Pin	1
7	10268	Toplock Nut (3/4"-10)	8
8	10267	3/4" Flat Washer	8
9	21062	Grapple Assembly	1
10	21148	Grapple Spring	1
11	21124	Floating Anvil	1
12	6156	Socket Head Bolt (1/2"-13 x 1-1/2")	4
13	21156	1/2" Flat Washer	8
14	10125	Toplock Nut (1/2"-13)	4
15	21105	Bolt (3/4"-10 x 2-1/4", Gr. 5)	6
16	21180	Euro/Global Quick Attach Plate	1
17	21179	Offset Skid-Steer Quick Attach Plate	1
18	21202	Euro/Global Quick Attach Plate w/ Tilt	2
19	21178	Offset Skid-Steer Quick Attach Plate w/ Tilt	2
20	21243	Bolt (3/8"-16 x 3/4")	3
21	21133	Cover	1
22	21118	Retention Pin	1
23	21078	Rue Clip	6
24	21045	Weight	1
25	21051	Cover	1
26	21054	Stud (3/4"-10 x 3-1/4")	2
27	21044	Weight Assembly (consists of items 7, 8, 24, 25, and 26)	1
28	21207	Pin	1
29	21208	Parking Stand	1
30	21206	Pin	1
31	2164	Drive Screw	1

# Parts

## Drive Assembly



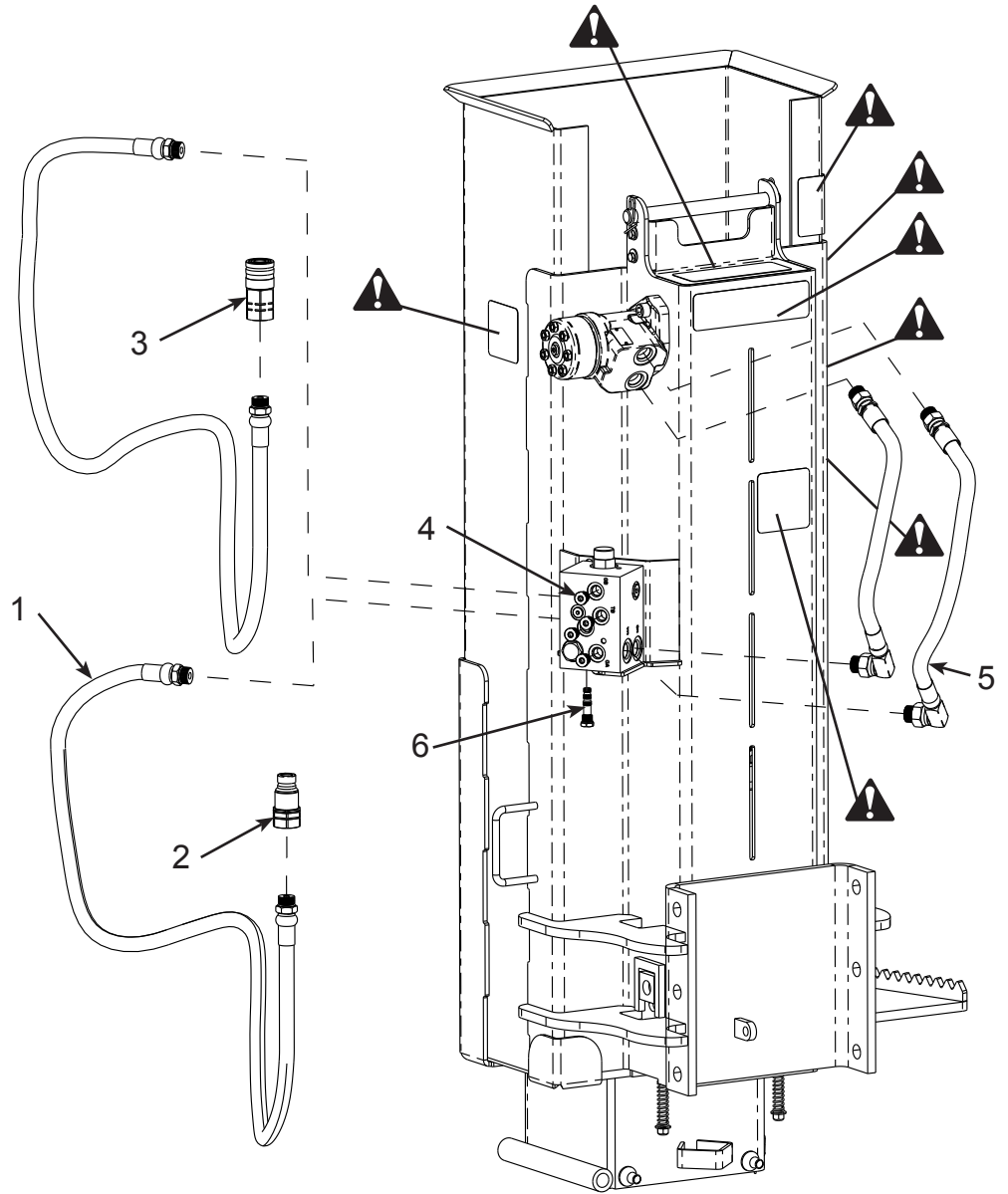
REF. NO.	PART NO.	DESCRIPTION	QTY.
1	21119	Connecting Link	2
2	21024	Chain Pin	2
3	21025	Roller Chain #80, 1" Pitch	2
4	21122	Catch Weight	1
5	21126	Socket Head Bolt (1/2"-13 x 2")	2
6	21113	Hydraulic Motor	1
7	21114	Upper Sprocket Shaft Assembly	1
8	21136	1" Shim	1
9	21156	1/2" Flat Washer	2
10	21043	Bearing	1
11	2489	7/16" Flat Washer	4
12	10197	Toplock Nut (7/16"-14)	4
13	21057	Bolt (7/16"-14 x 1-1/2")	4
14	10125	Toplock Nut (1/2"-13)	2
15	21040	Sprocket Shaft	1
16	21080	Lower Sprocket Shaft Assembly	1
17	21125	Shim	2
18	21083	Tensioning Rod	2
19	10267	3/4" Flat Washer	1
20	2172	Retaining Ring	1
21	21123	Spring	2
22	2178	3/8" Flat Washer	2
23	10412	Toplock Nut (3/8"-16)	2
24	21110	Cover Assembly	1

 = Safety Sign Location

# Parts

## Hydraulics

 = Safety Sign Location

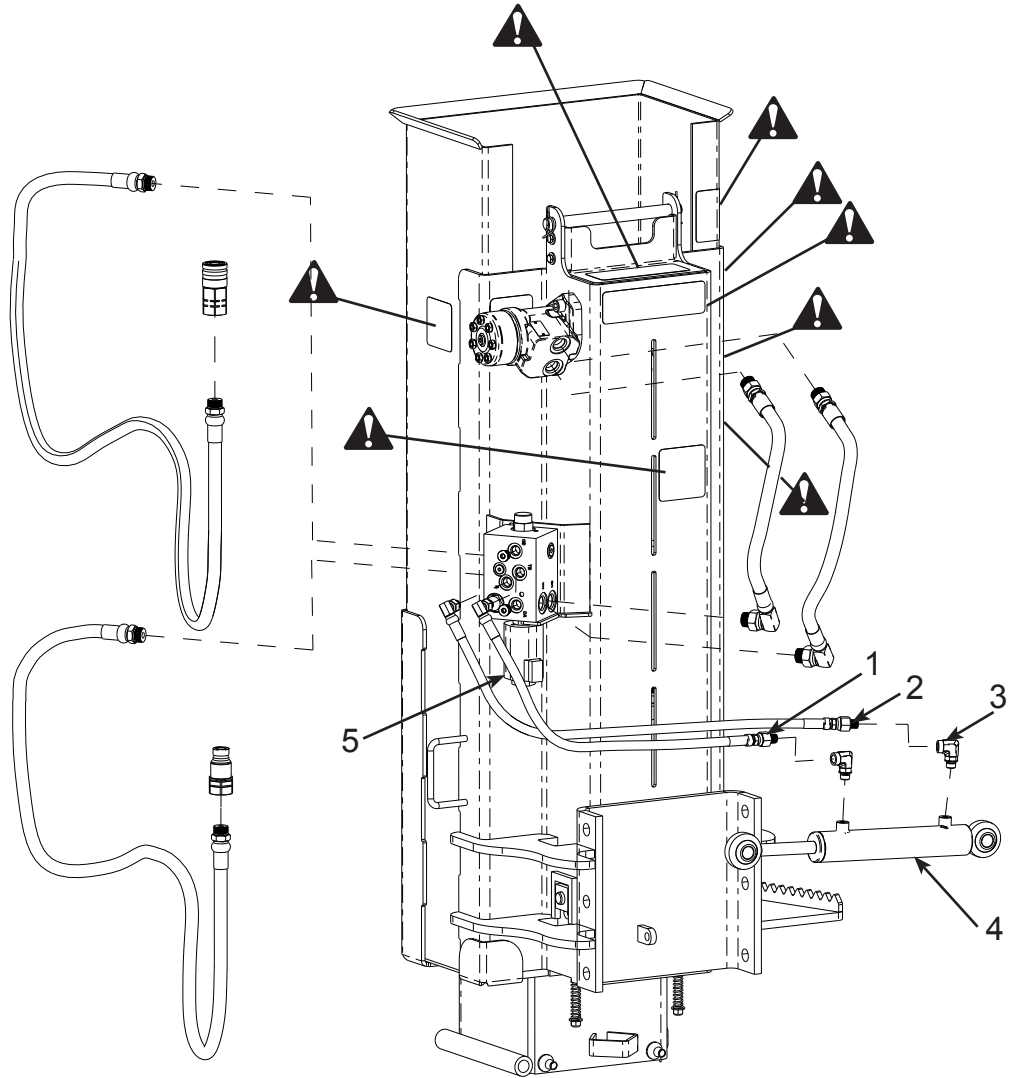


REF. NO.	PART NO.	DESCRIPTION	QTY.
1	21139	Vehicle-Manifold Hydraulic Hose	2
2	10048	Male Coupler	1
3	10049	Female Coupler	1
4	21141	#6 O-ring Plug	4
5	21233	Motor-Manifold Hydraulic Hose	2
6	21216	Solenoid Plug	1

# Parts

## Tilt Hydraulics

 = Safety Sign Location

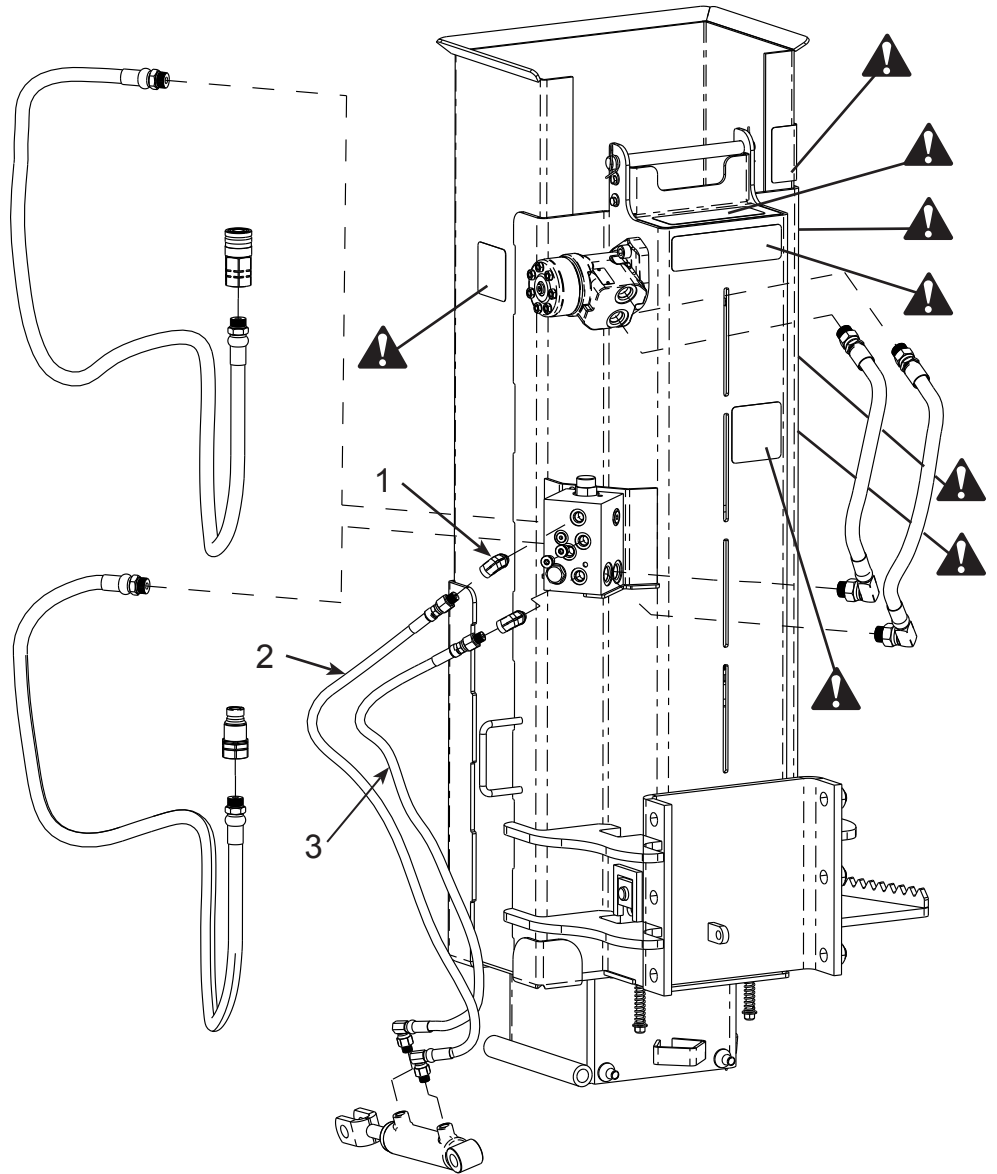


REF. NO.	PART NO.	DESCRIPTION	QTY.
1	21238	Manifold-Cylinder Hydraulic Hose	1
2	21235	Manifold-Cylinder Hydraulic Hose	1
3	21225	#6 O-ring 1/4" Pipe Elbow	3
4	21226	Hydraulic Cylinder	1
5	21215	Solenoid Valve	1

# Parts

## Grapple Hydraulics

 = Safety Sign Location

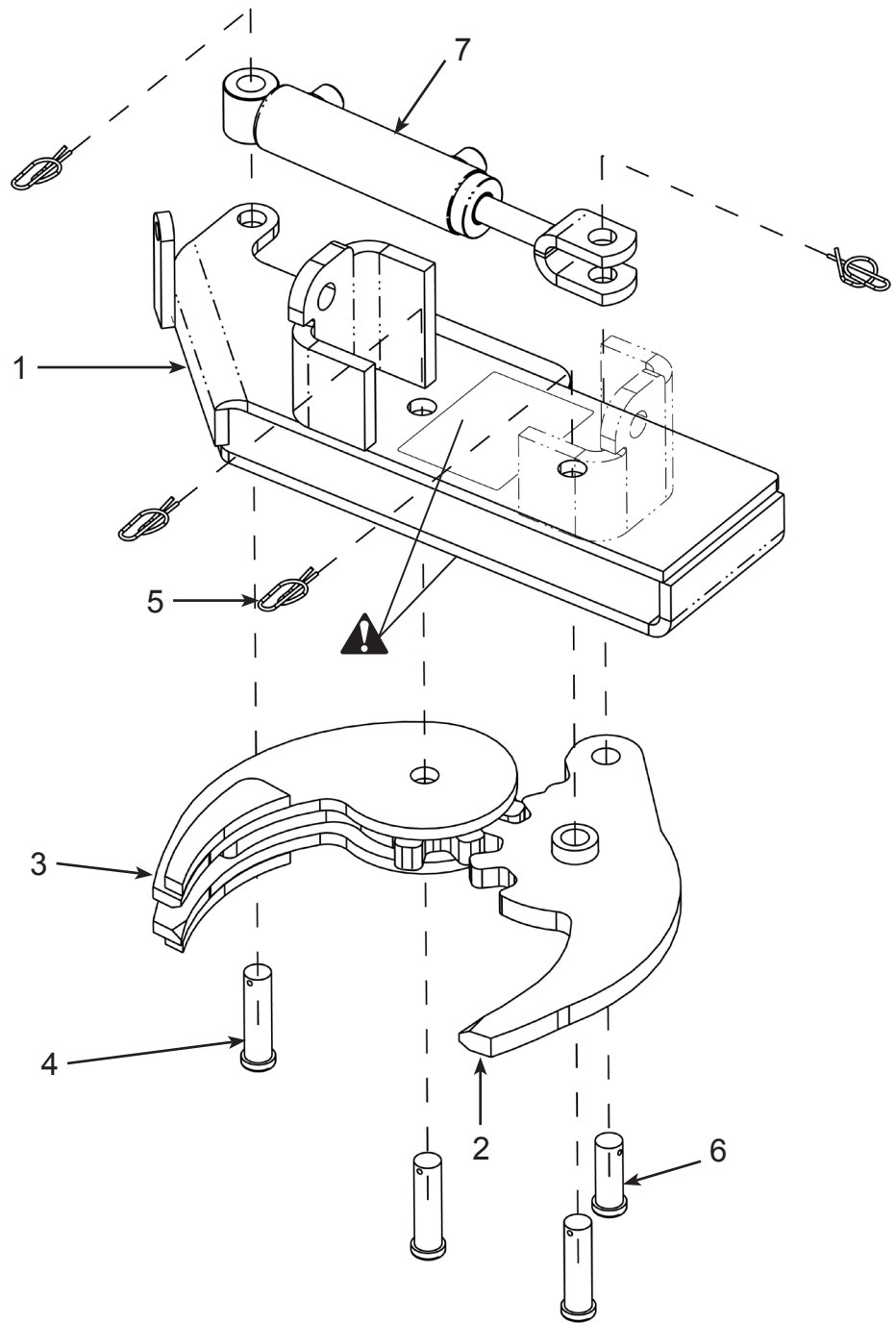


REF. NO.	PART NO.	DESCRIPTION	QTY.
1	21225	#6 O-ring 1/4" Pipe Elbow	2
2	21234	Manifold-Grapple Hydraulic Hose	1
3	21235	Manifold-Grapple Hydraulic Hose	1

# Parts

## Grapple

 = Safety Sign Location

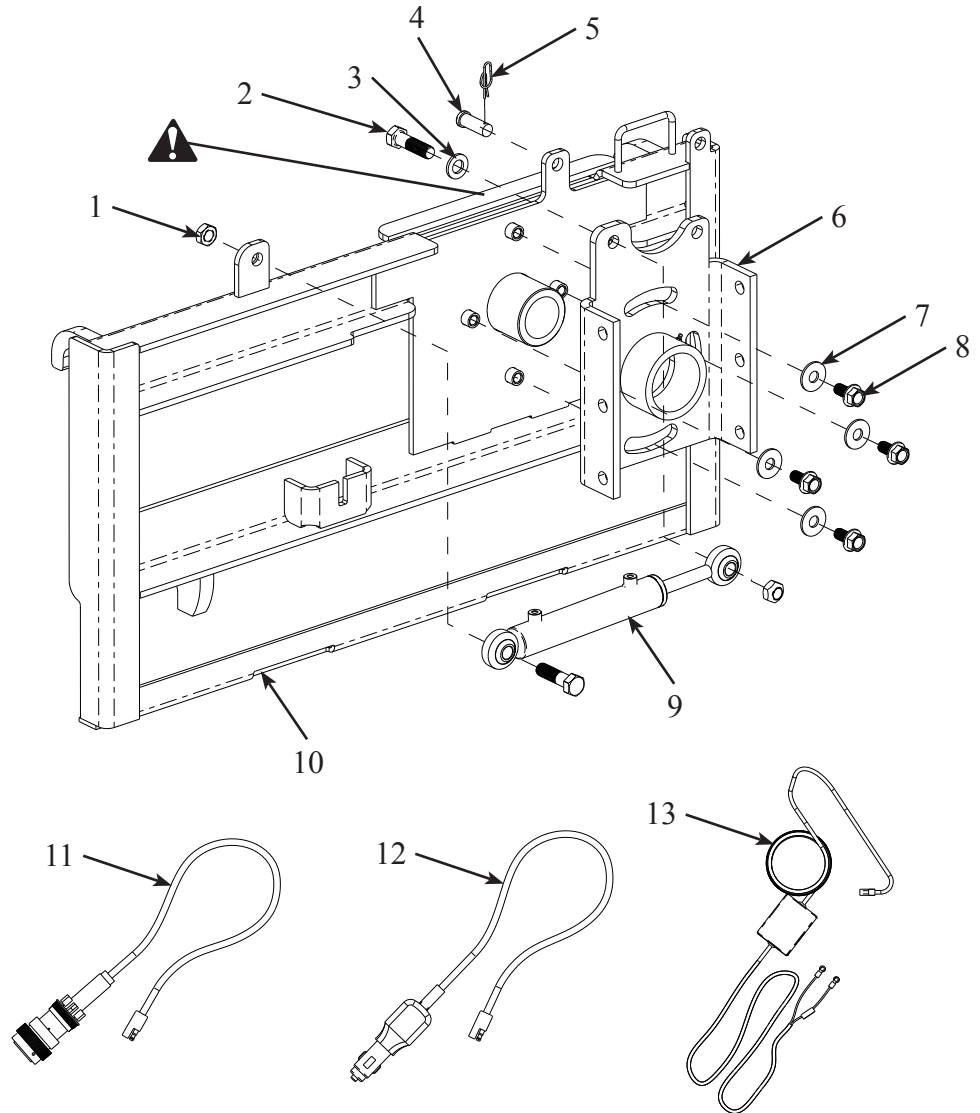


REF. NO.	PART NO.	DESCRIPTION	QTY.
1	21063	Case	1
2	21070	Right Jaw	1
3	21073	Left Jaw	1
4	21077	Clevis Pin	3
5	21078	Rue Clip	4
6	21134	Clevis Pin	1
7	21167	Hydraulic Cylinder	1

# Parts

## EM40 Tilt

 = Safety Sign Location



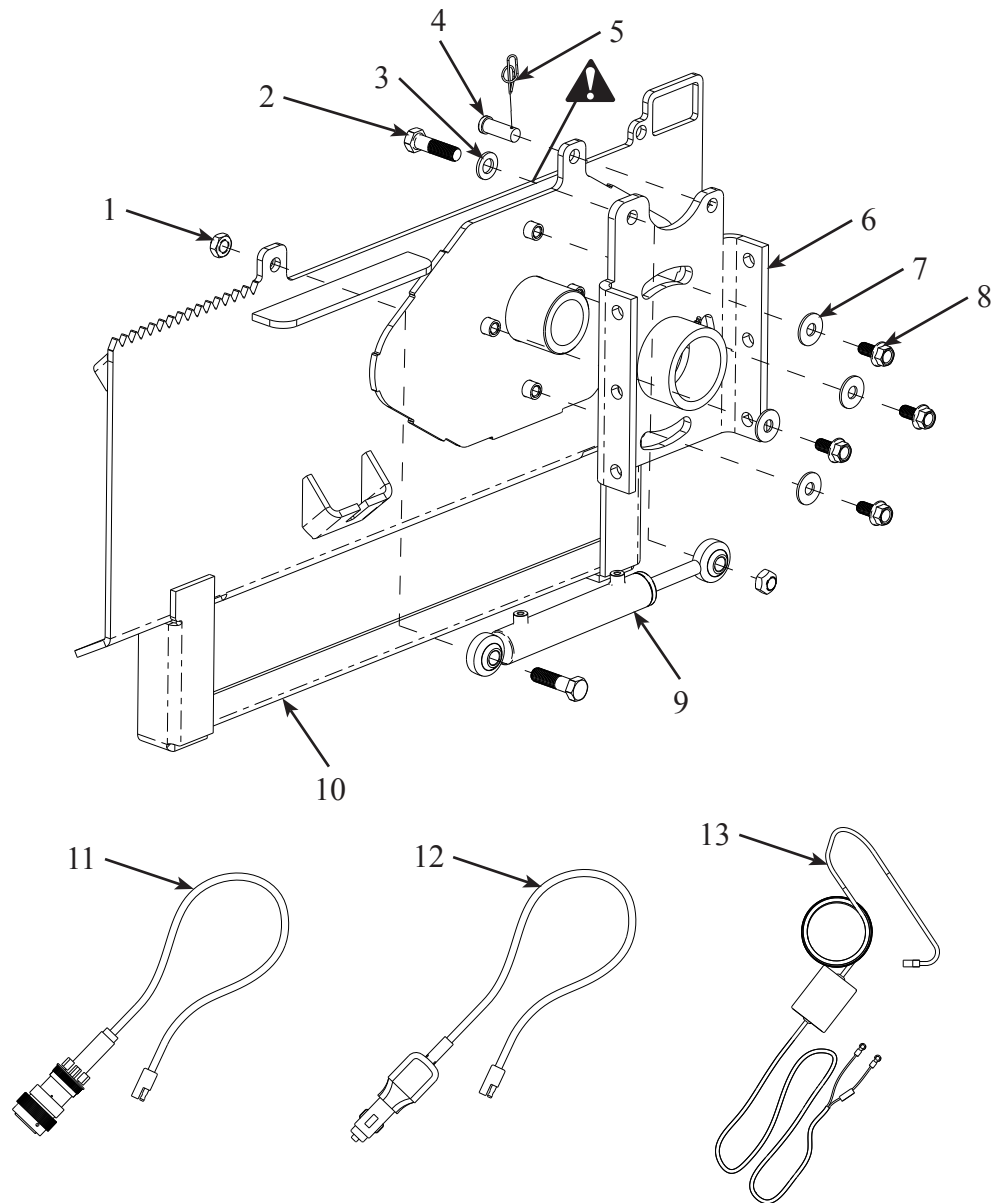
REF. NO.	PART NO.	DESCRIPTION	QTY.
1	10268	Toplock Nut (3/4"-10)	2
2	21106	Bolt (3/4"-10 x 2-3/4")	2
3	10267	3/4" Flat Washer	2
4	21134	Clevis Pin	1
5	21078	Rue Clip	1
6	21200	Euro/Global Tilt Bracket	1
7	21107	5/8" Large Flat Washer	4
8	21108	Flange Bolt (5/8"-11 x 1-1/4", Gr. 8)	4
9	21226	Hydraulic Cylinder	2
10	21189	Euro Quick Attach Plate	4
11	21220	Wiring Harness 8-Pin	1
	21221	Wiring Harness 14-Pin	
	21222	Wiring Harness 14-Pin Deere	
12	21223	Cigarette Lighter Adapter	1
13	21162	Wiring Harness	1



# Parts

## LM40 Tilt

 = Safety Sign Location



REF. NO.	PART NO.	DESCRIPTION	QTY.
1	10268	Toplock Nut (3/4"-10)	2
2	21106	Bolt (3/4"-10 x 2-3/4")	2
3	10267	3/4" Flat Washer	2
4	21134	Clevis Pin	1
5	21078	Rue Clip	1
6	21176	Offset Skid-Steer Tilt Bracket	1
7	21107	5/8" Large Flat Washer	4
8	21108	Flange Bolt (5/8"-11 x 1-1/4", Gr. 8)	4
9	21226	Hydraulic Cylinder	2
10	21173	Offset Skid-Steer Quick Attach Plate	4
11	21220	Wiring Harness 8-Pin	1
	21221	Wiring Harness 14-Pin	
	21222	Wiring Harness 14-Pin Deere	
12	21223	Cigarette Lighter Adapter	1
13	21162	Wiring Harness	1