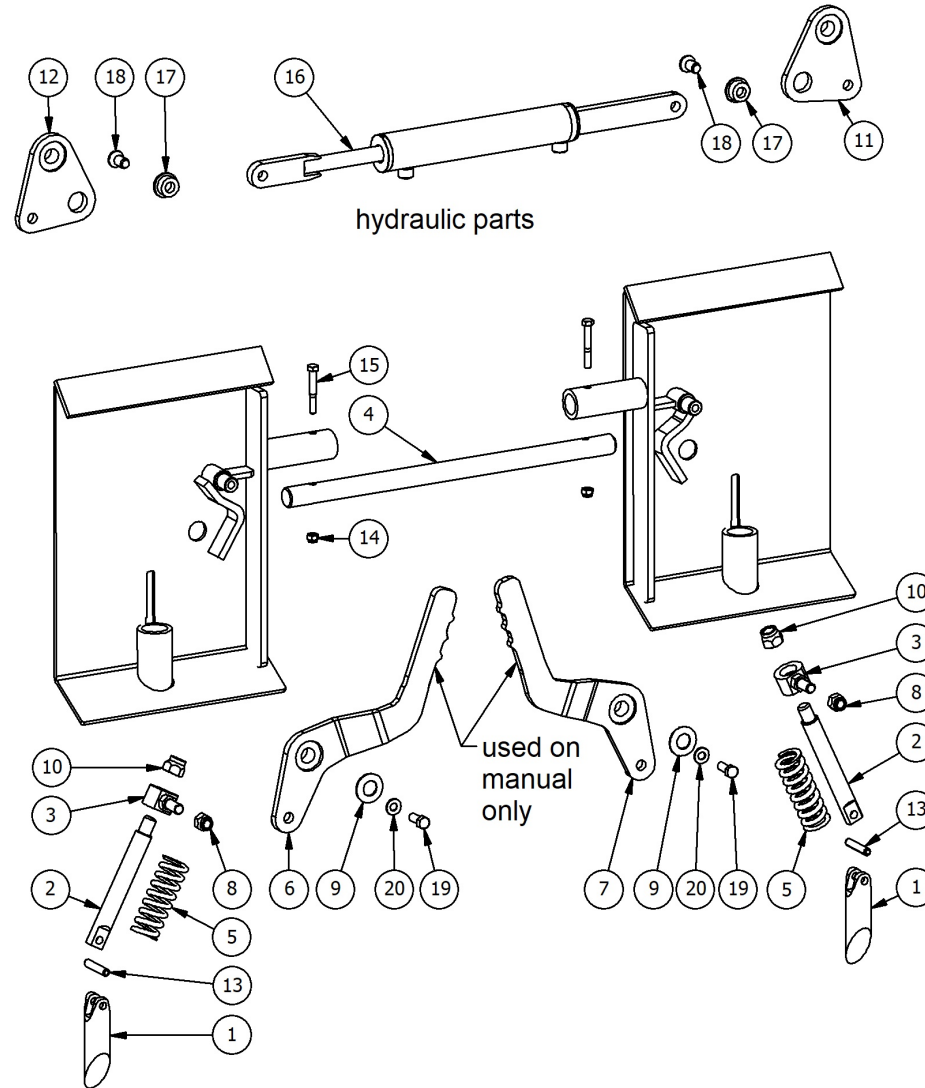



BOQF10 & BOQF10HYD (2016 - 2019)





BOQF10 & BOQF10HYD (2016 - 2019)

	Item	Part Number	Description	Quantity
<input type="checkbox"/>	1	LP-101603	BOQF10 Lock Pin	2
<input type="checkbox"/>	2	LP-101600	BOQF10 Lock Spring Pin Weldment	2
<input type="checkbox"/>	3	LP-101599	BOQF10 Lock Spring Retainer Bushing	2
<input type="checkbox"/>	4	LP-101604	Joiner Shaft	1
<input type="checkbox"/>	5	11-2062	BOQF10 Lock Pin Spring	2
<input type="checkbox"/>	6	LP-100148	Left Adapter Handle	1
<input type="checkbox"/>	7	LP-100149	Elbow Right Adapter Handle	1
<input type="checkbox"/>	8	11-2068	1/2" Lock Nut	2
<input type="checkbox"/>	9	11-2910	BOQF10 3/4" Spring Washer	2
<input type="checkbox"/>	10	11-1026	5/8" Lock Nut	2
<input type="checkbox"/>	11	LP-101601	BOQF10 Hydraulic Right Cyl Mount Assembly	1
<input type="checkbox"/>	12	LP-101602	BOQF10 Hydraulic Left Cyl Mount Assembly	1
<input type="checkbox"/>	13	11-1535	3/8" x 2" Roll Pin	2
<input type="checkbox"/>	14	11-2078	5/16" Lock Nut	2
<input type="checkbox"/>	15	11-2079	5/16" x 2 1/4" Bolt	2
<input type="checkbox"/>	16	LA-CYL158T	1-1/2" x 8" Welded Cylinder w Threaded Ends	1
<input type="checkbox"/>	17	LP-101598	Cyl Mount Pivot Bushing	2
<input type="checkbox"/>	18	11-3017	Hexagon Socket Flat Countersunk Head Cap Screw	2
<input type="checkbox"/>	19	11-1021	3/8" x 1" Bolt	2
<input type="checkbox"/>	20	11-3098	BOQF10 3/8" Spring Washer	2



BOQF10 & BOQF10HYD (2016 - 2019)

	Item	Part Number	Description	Quantity
--	------	-------------	-------------	----------