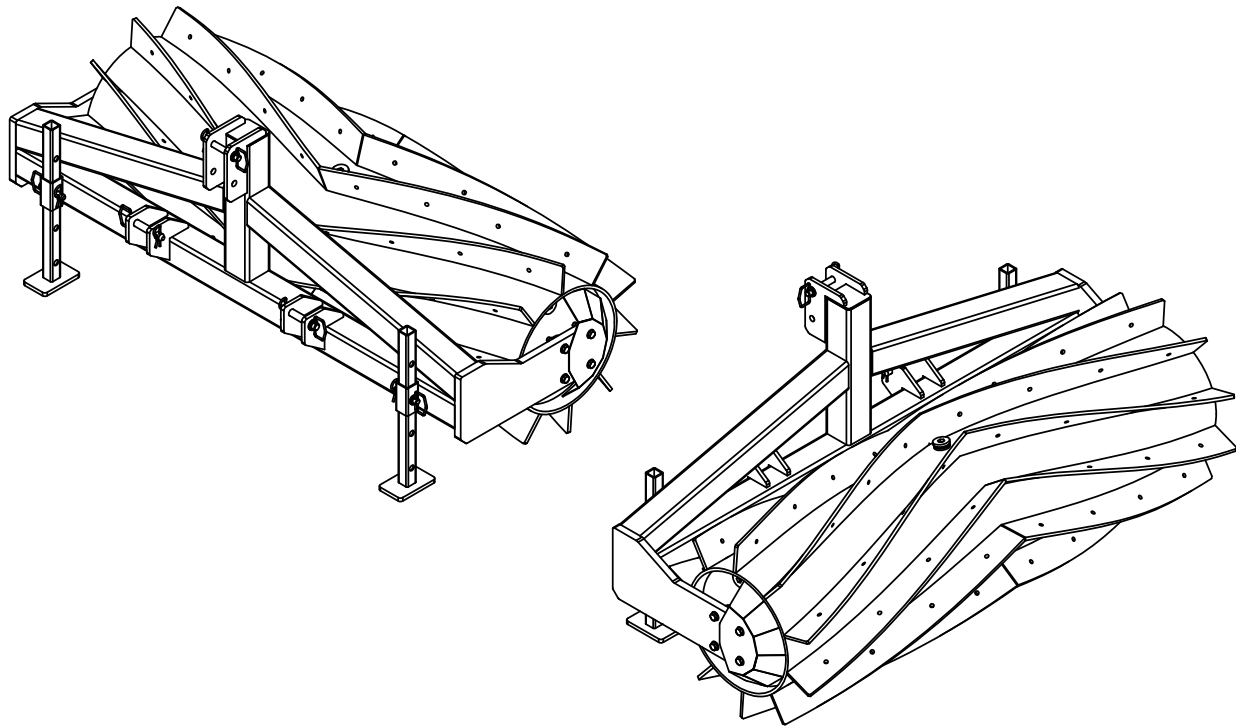




GOLIATH CRIMPER ROLLERS

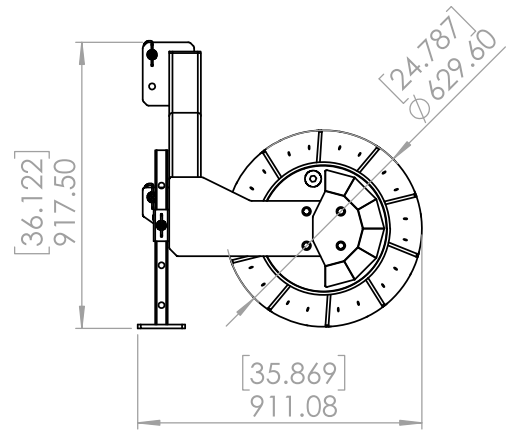
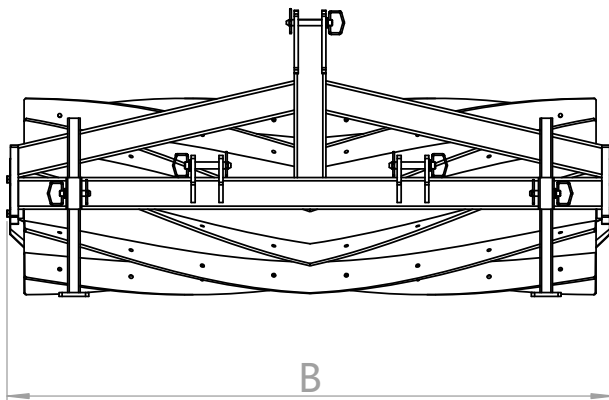
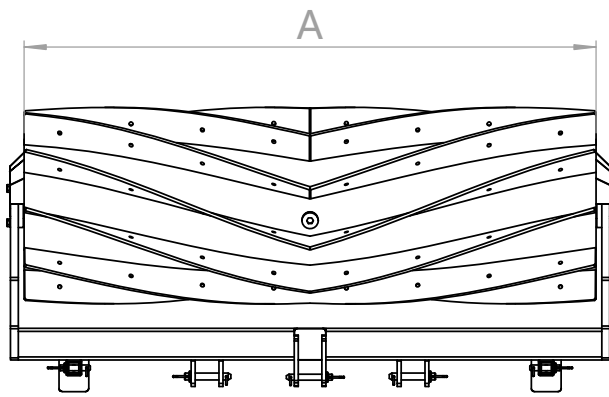


OWNER'S MANUAL

For Model: 6', 8', 10.5' Crimpers

Model Specification

Model	Main Dimension				Approx. weight
	Drum Width(A)	Length(B)	Height	Depth	
6'	72"	76.9"	36.1"	35.9"	1158 lbs
8'	96"	100.7"	36.1"	35.9"	1445 lbs
10.5'	126"	130.7"	36.1"	35.9"	1820 lbs
					PS. 75 lbs per foot when filling with water.




SAFETY INTRODUCTION


Your safety, and the safety of others, is very important. To help you make informed decisions about safety, we have provided operating procedures and other information in this manual. This information alerts you to potential hazards that could hurt you or others.


You will find important safety information in the following form:

Safety Messages – preceded by a safety alert symbol  and one of three signal words: **DANGER**, **WARNING**, or **CAUTION**.

These signal words mean:

 **DANGER:** Indicates an imminently hazardous situation that, if not avoided, will result in death or serious injury. This signal word is to be limited to the most extreme situations typically for machine components which, for functional purposes, cannot be guarded.

 **WARNING:** Indicates a potentially hazardous situation that, if not avoided, could result in death or serious injury, and includes hazards that are exposed when guards are removed. It may also be used to alert against unsafe practices.

 **CAUTION:** Indicates a potentially hazardous situation that, if not avoided, may result in minor or moderate injury. It may also be used to alert against unsafe practices.

This entire manual is filled with important safety information. Please read it carefully.

OPERATIONS AND MAINTENANCE



This safety alert symbol is used to indicate safety instructions. Follow these instructions to avoid personal injury and/or property damage. Read and follow all instruction in the manual.



CAUTION: Do not allow anyone to operate this equipment who has not fully read and comprehended the safety manual and who has not been properly trained in operation of the equipment.



CAUTION: Operator should be familiar with all functions of the unit.



WARNING: Keep bystander clear while operating equipment.



WARNING: Do not allow riders.



CAUTION: Safely support and secure implement before making repairs.



CAUTION: Do not stand or climb on equipment.



CAUTION: Make sure to drain water out each time to prevent corrosion and to prevent from freezing and busting.

A.USING THE TOOL

This tool is ground driven and is pulled or pushed by a tractor.

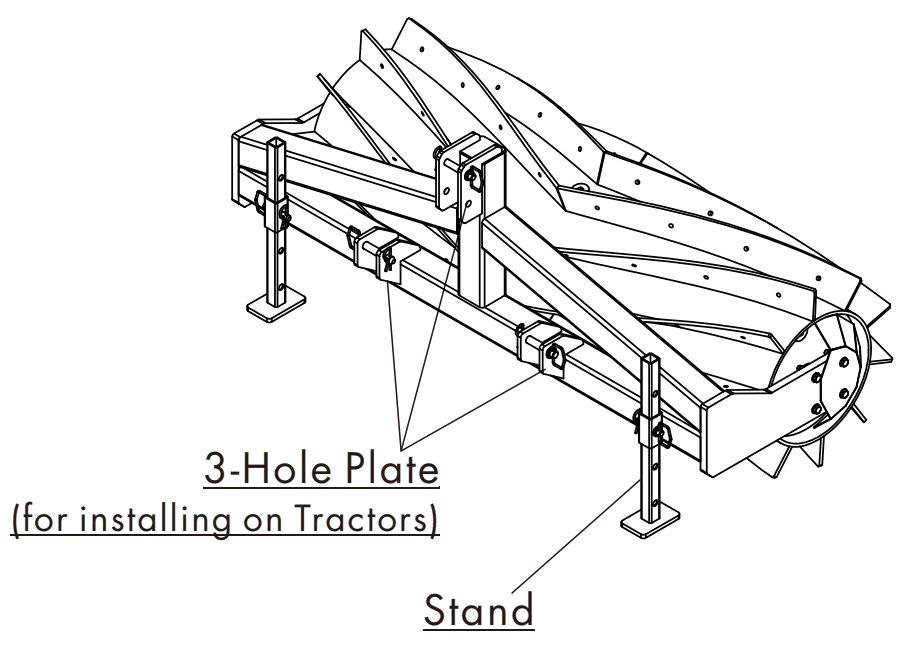
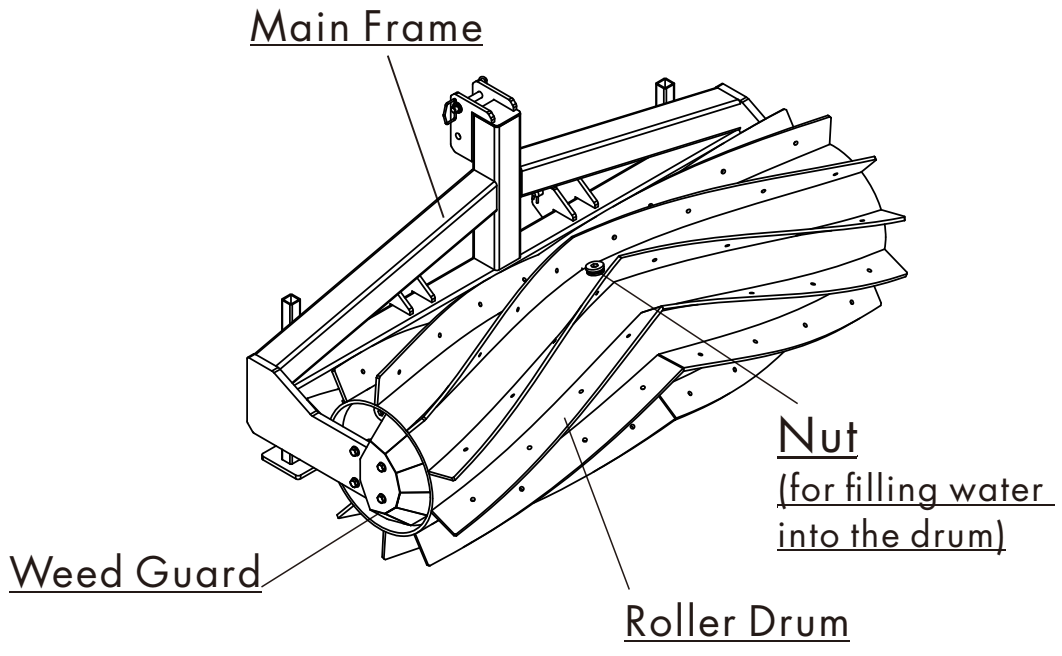


CAUTION: Care should be taken when either use or transport.



B.MAINTENANCE

There are two grease points on both end of the drum. It is recommended that these bearings be greased before every using. In dusty conditions more frequent greasing may be necessary.

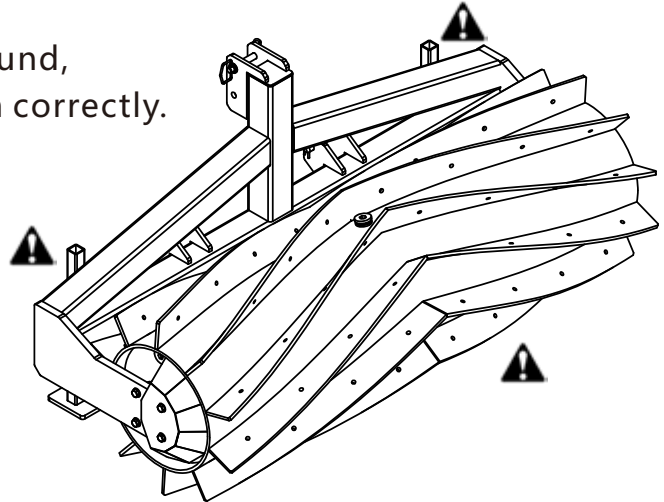


Cover crop roller description

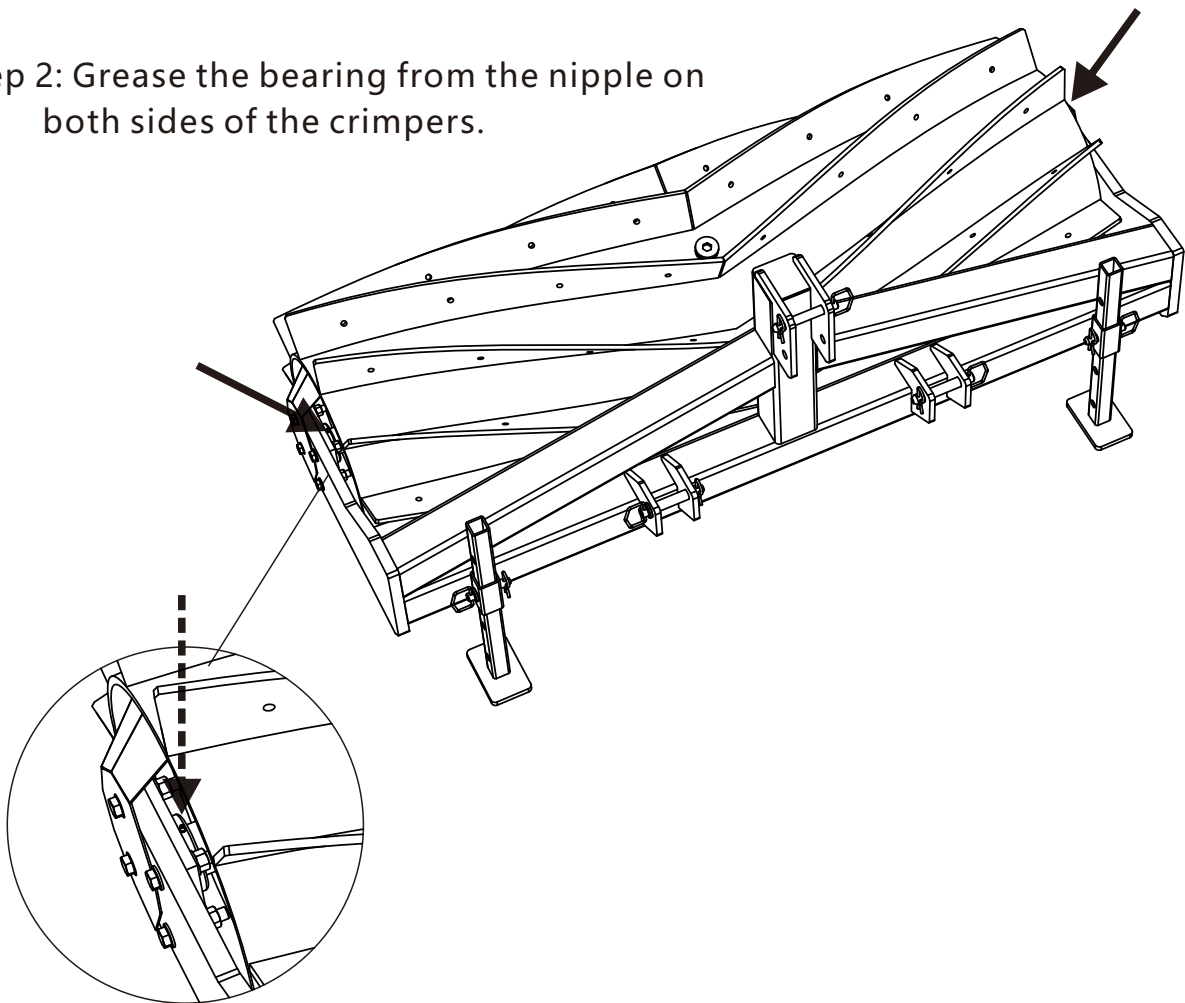
OPERATIONS AND MAINTENANCE

How to disassemble to grease?

Step 1: Place the tool on an even ground, ensure the (2) support function correctly.



Step 2: Grease the bearing from the nipple on both sides of the crimpers.



MODEL PARTS

For 6's Model			
ITEM	Part #	Description	Quantity
1	600-0001-01	Main Frame Assembly	1
2	600-0002-01	Roller Drum	1
3	600-0001-02	BallBearing	2
4	600-0001-04	Weed Guard	2
5	600-0001-05	Flat Washer	16
6	600-0001-06	Bolt	8
7	600-0001-07	Nut for bearings	8
8	600-0002-02	Nut on Drum	2
9	600-0002-03	Rubber washer for drum	2
10	600-0001-03	Stand	2
11	600-0001-08	Top Pin for 3 holes	1
12	600-0001-09	Lower Pin for 3 holes	2
13	600-0001-10	Pin for Stand	2
14	600-0001-11	Lock pin	5
15	600-0003-01	*Replacement blade (Pair)	10

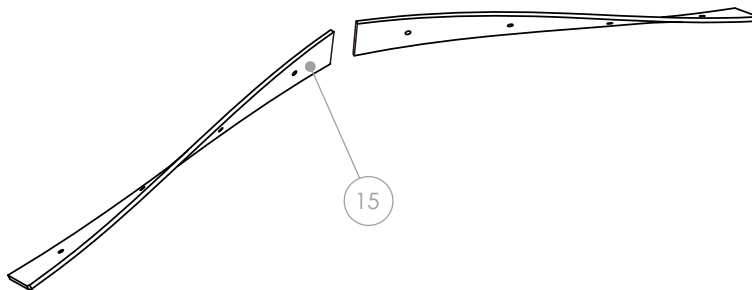
For 8's Model			
ITEM	Part #	Description	Quantity
1	800-0001-01	Main Frame Assembly	1
2	800-0002-01	Roller Drum	1
3	600-0001-02	BallBearing	2
4	600-0001-04	Weed Guard	2
5	600-0001-05	Flat Washer	16
6	600-0001-06	Bolt	8
7	600-0001-07	Nut for bearings	8
8	600-0002-02	Nut on Drum	2
9	600-0002-03	Rubber washer for drum	2
10	600-0001-03	Stand	2
11	600-0001-08	Top Pin for 3 holes	1
12	600-0001-09	Lower Pin for 3 holes	2
13	600-0001-10	Pin for Stand	2
14	600-0001-11	Lock pin	5
15	800-0003-01	*Replacement blade (Pair)	10

MODEL PARTS

For 10.5's Model			
ITEM	Part #	Description	Quantity
1	105-0001-01	Main Frame Assembly	1
2	105-0002-01	Roller Drum	1
3	600-0001-02	Ball Bearing	2
4	600-0001-04	Weed Guard	2
5	600-0001-05	Flat Washer	16
6	600-0001-06	Bolt	8
7	600-0001-07	Nut for bearings	8
8	600-0002-02	Nut on Drum	2
9	600-0002-03	Rubber washer for drum	2
10	600-0001-03	Stand	2
11	600-0001-08	Top Pin for 3 holes	1
12	600-0001-09	Lower Pin for 3 holes	2
13	600-0001-10	Pin for Stand	2
14	600-0001-11	Lock pin	5
15	105-0003-01	*Replacement blade (Pair)	10

*Optional part: Replacement blades 10 pairs.

PS. the replacement blades can be applied on the worn out blades, call the seller for the prices and details.



MODEL PARTS

