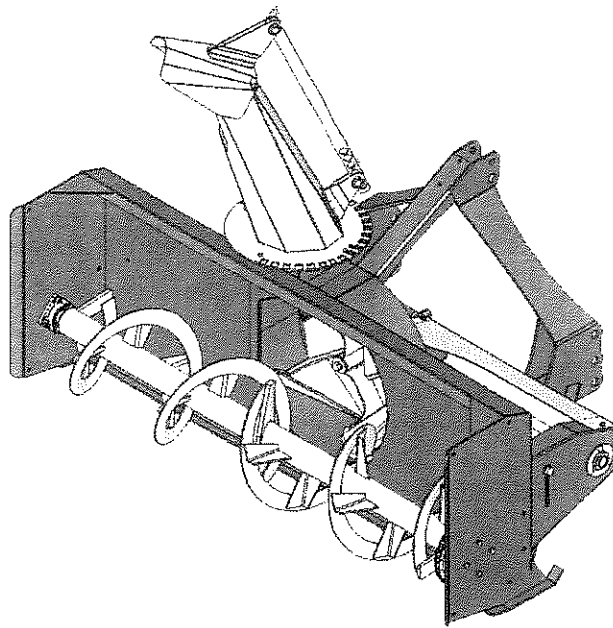


75"- 87"- 97" Snowblower



Manufactured by:
Simeon Bauman Inc
4342 Weimar Line Wellesley On Ca
N0B 2T0

Tel 519-699-5560

Fax 519-699-5634

e-mail trix@rogers.com

Table of Contents

	Page
1. Introduction - Warranty -----	1
2. Safety -----	2
3. Decal Location -----	4
4. Assembling the blower (after receiving) -----	5
5. Operation -----	6
6. Parts Location -----	8
7. Part Numbers -----	9
8. Chute Rotator Parts -----	10
9. Gearbox -----	11
10. PTO -----	12
11. Maintenance -----	13
12. Bolt Torque -----	14

SB Select

Snowblower

SB Select is a well built snowblower for consumer use. With proper care and maintenance it will provide you with years of trouble free service. Foreign objects are most damaging to the snowblower. Before the first snow falls, note the area that will be cleared of snow and clear all debris and loose material from the area.

Please read and understand this manual before using or allowing others to use this snowblower.

Warranty and Limitation of Liability

All equipment is sold subject to mutual agreement that is is warranted by Simeon Bauman Inc (hereafter called the company) to before of any defects of material and workmanship. But the company shall not be liable for special, indirect or consequential damage of any kind under this contract or otherwise. The company's liability shall be limited exclusively to replacing or repairing without charge at its factory or elsewhere, at its discretion, any material, or workmanship defects which become apparent within one year from the date of purchase. This will allow you to do one complete season of blowing, regardless of what time of the year you purchased the equipment.

The company will have no liability for damages of any kind. The buyer by the acceptance of the equipment will assume all liability for any damages which may be the result from the use or misuse by the employees or others.

Warranty coverage is null and void if any unauthorized repairs of alterations are performed to this equipment.

Warranty is also null and void unless this warranty Registration is completely filled out and is on file at Simeon Bauman Inc

For your Record

Purchase Date Y20 ___ M ___

Model # _____

Serial # _____

Please cut at dotted line and return this registration form to the company via Mail, Fax or e-mail

✂-----

Simeon Bauman Inc
4342 Weimar Line Wellesley On Ca
N0B 2T0

Name of Purchaser

Purchase Date Y20 ___ M ___

Name _____

Model # _____

Address _____

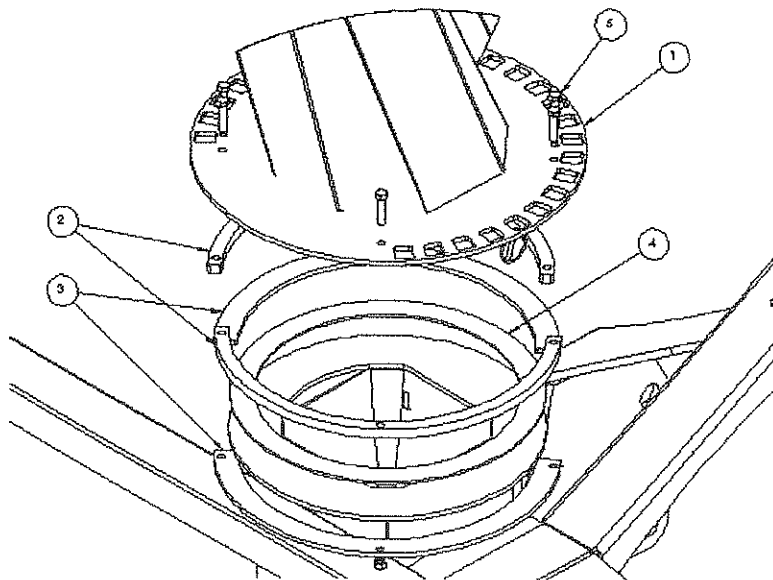
Serial # _____

Postal Code/Zip Code _____

SB Select Snowblower Assembly Information

Chute assembly consists of;

1. 1-- Chute
2. 2 -- Spacers
3. 2 -- Retainers
4. 1 --- Plastic Ring
5. 6 --- 5/6x1 1/2 bolt c/w locknut



On receiving the SB Select Snowblower

These blowers are packaged without the chute and rotator installed

Carefully remove the chute and PTO shaft from the machine, set them aside. Locate the bag or package of small components.

1. Locate the plastic ring and lightly coat both sides with grease and place it on of the chute base.
2. Set Cute #1 on the ring
3. Insert 5/16 bolts #5 through the Chute and Spacer #2 and secure with the Retainer #3
4. Do this with the other half of the retainer assy.
5. Use locknuts to secure the chute

SB 75"-87"-97" Select Snowblower

The 75" Blower is ideal for small tractors 50 HP Cat #1 and 2 3PH.

The 87"-97" Blower is ideal for tractors 60-75 HP Cat#2 3PH

Hitching up the SB Select Blower for the first time.

Set the blower on a level surface and back the tractor up to it. Place the lower 3PH arms of the tractor between the lower hitch plates on the blower and insert the hitch pins that came with the blower, secure these with the Lynch Pins. Next swing the top link into place and adjust the length so the top link pin can be inserted. You will have to supply the top link pin. With the top link set at this length the blower will be flat or parallel to the ground.

Do not fasten the PTO shaft to the tractor.

1. Slowly lift the blower until the gearbox shaft is at the same height as the PTO output on the tractor.
2. Push (or collapse the telescopic part of the PTO completely). **If you cannot collapse it far enough to slide it on the tractor then it has to be shortened!**
3. Measure the amount that the shaft is too long. Remove it from the blower and pull it apart.
4. Take a hacksaw and cut ½ of the measurement from each end, cut both the plastic tube and the metal core.
5. Use a file to remove the burrs from the cut parts, wipe any filings from the surfaces and slide the shaft together to be sure that it slides freely.
6. Make sure the plastic shield is free to rotate on the shaft before installing on the machine.
7. Reinstall the PTO on the blower and fasten it to the tractor pushing the spring-loaded pin in and sliding the yoke onto the tractor spline until the pin snaps into place.
8. Next lift the 3PH arms to the highest point, determine the overlap on the PTO shaft. It should be at least 2" if it is too short then the PTO will jam, rather than collapse. This will put severe strain on the shaft and gearbox and the tractor.



9. **It may come apart and this will allow a spinning PTO to become an uncontrolled weapon and could severely injure or kill someone!**
10. After it has been determined that the PTO is OK and will not jam or come apart, make sure any bystanders are well away from the machine.
11. Lower the blower to ground level, engage the PTO and slowly start the blower. Make sure that everything is turning freely.
12. Slowly increase the speed until you have reached 540 RPM on the PTO. This is the speed that this blower was designed for. If it turns faster the fan could be going dangerously fast. If it turns slower it will not perform very well as the snow will not get blown very far.

**In warmer conditions Heavy wet snow will not blow as well.
In colder conditions the light powder type snow will blow very well.**

Operating the Select Snowblower

This blower is on the back of the tractor facing toward the rear. While blowing snow the tractor has to be backup into the snow.



Stay in the seat of the tractor all the time that the blower is running.



Make sure the area is clear of people while blowing snow.



Do not direct discharged snow toward people, cars or buildings as stones or bits of ice can go a long distance.

When you get to the place that you want clear snow, lower the blower to the ground and turn the chute to discharge the snow in the direction you want the snow to go. Engage the PTO and slowly bring the blower up to operating speed. After the blower is running use reverse gear and start backing up. The chute can be rotated from the tractor seat while blowing snow.

If your drive is paved then, you may need to lengthen the top 3PH link to tilt the blower ahead so it will scrape the hard surface better.

If your drive is gravel then you may want to shorten the top 3PH link to tilt the blower back so it will not dig into the loose gravel. In colder climates where the bare ground is frozen during most of the winter the blower can be adjusted to scrape the snow off the frozen drive after freeze-up.



This blower is designed to blow snow, but will blow loose gravel if care is not taken.



After the job is finished: **Disengage the PTO to stop the blower** before driving away or getting off the tractor.

The auger is protected with a safety shear bolt that will shear off if the auger becomes jammed.

The fan is also protected with a shear bolt in the PTO shaft universal joint if the fan becomes jammed.

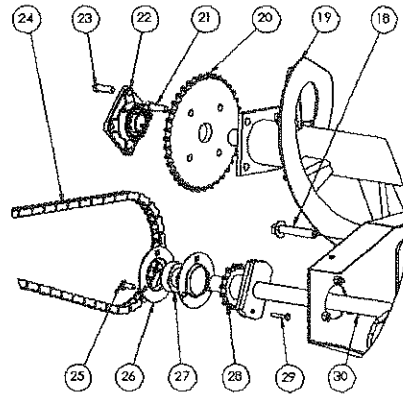
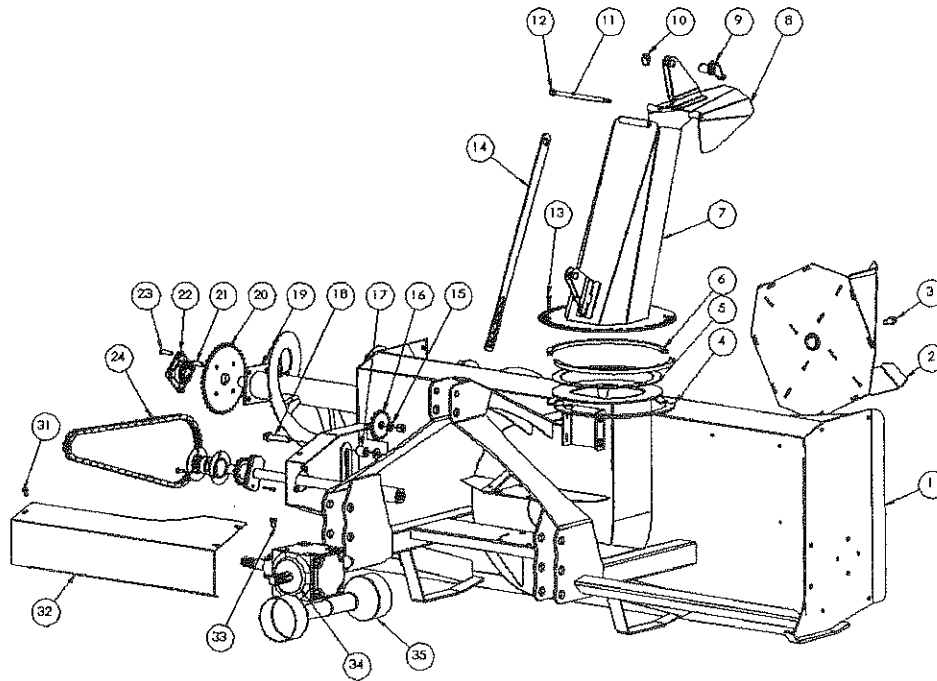


When replacing the shear bolts STOP the engine and remove the key before attempting to replace them!

There is a Hydraulic hood turner available that couples into the tractor hydraulic remotes if your tractor is so equipped.

There is also an Electric turner available that uses 12 volts from the battery. This will allow you to rotate the hood without reaching back to the blower especially if you have a cab on your tractor.

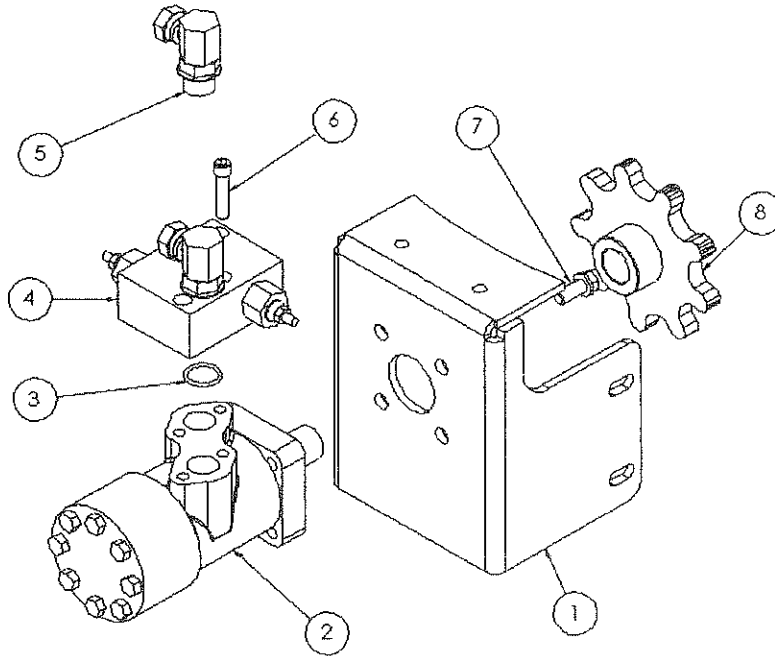
75"-87"-97" SB Select Snowblower
Parts Drawing



75 – 87 - 97 SB Select Snowblower

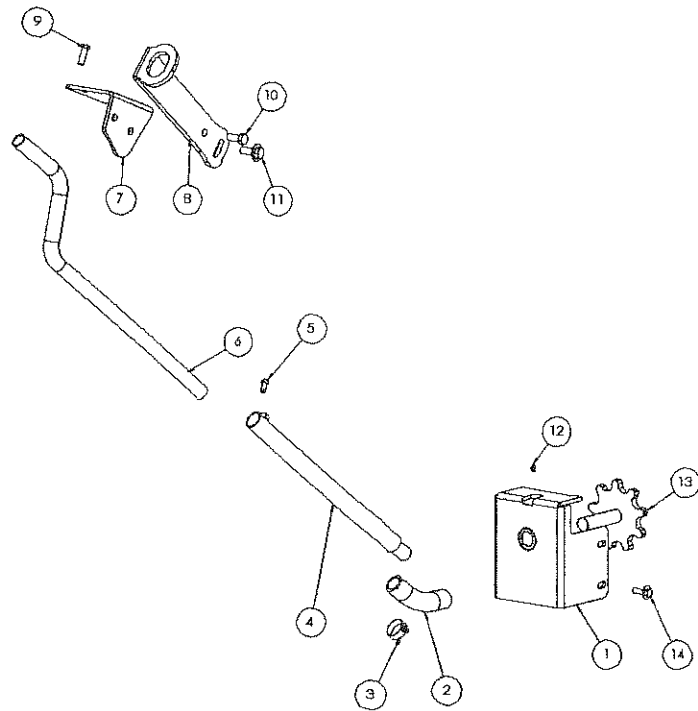
Item No	Description	75 Part No	87 Part No	97 Part No	Qty
1	Main Body	SBS7520966	SBS8720990	SBS9721013	1
2	Fan	SBS7520972	SBS8720702	SBS8721018	1
3	3/8x1 1/4 Bolt c/w lw	OL	OL	OL	1
4	Chute Retainer	SBS7521202	SBS8721208	SBS8721208	2
5	Plastic Ring	SBS7521204	SBS8721206	SBS8721206	1
6	Chute Spacer	SBS7521203	SBS8721207	SBS8721207	2
7	Chute	SBS7520982	SBS8720704	SBS8720704	1
8	Deflector	SBS7520985	SBS8720706	SBS8720706	1
9	Deflector Pin	SBS21086	SBS21086	SBS21086	2
10	3/16 Lynch Pin	OL	OL	OL	2
11	Deflector Hinge Pin	SBS7521201	SBS8721205	SBS8721205	1
12	1/2 locknut	OL	OL	OL	2
13	5/16x1 1/2 bolt c/w ln	OL	OL	OL	6
14	Deflector Adjuster	SBS7520987	SBS7520987	SBS7520987	1
15	5/8 SAE Washer	OL	OL	OL	3
16	Idler Sprocket	SBS872029	SBS872029	SBS872029	1
17	Idler Spacer	SBS0021089	SBS0021089	SBS0021089	1
18	5/8x3 1/2 Bolt c/w n, lw	OL	OL	OL	1
19	Auger	SBS7520977	SBS8721023	SBS9720706	1
20	Auger Sprocket	SBS871165	SBS871165	SBS871165	1
21	3/8x1 Bolt c/w n, lw	OL	OL	OL	4
22	Complete Bearing	SB751169	SB871169	SB871169	2
	Bearing Insert Only	SB751170	SB871170	SB871170	2
	Cast Flange Only	SB751171	SB871171	SB871171	2
23	7/16x1 1/2 Bolt c/w n, lw	OL	OL	OL	8
24	Auger chain	SB7521217	SBS8721218	SBS8721218	1
25	3/8x1 Carriage Bolt c/w n, lw	OL	OL	OL	3
26	Bearing Flange	SB871174	SB871174	SB871174	2
27	Bearing Cartridge	SB871175	SB871175	SB871175	1
28	Shear Sprocket	SB873025	SB873025	SB873025	1
29	Shearbolt 1/4x1 #2 c/w ln	OL	OL	OL	1
30	Auger Drive Shaft	SB7510264	SBS8731994	SBS9731996	1
31	5/16x3/4 bolt c/w fw,lw	OL	OL	OL	3
32	Auger Drive Shield	SB7520986	SBS	SBS21020	1
33	3/8x5 Bolt c/w n, lw	OL	OL	OL	4
34	Gearbox	SB871186	SB871186	SB871186	1
35	PTO	SB871187	SB871187	SB871187	1

Chute Rotator Hydraulic



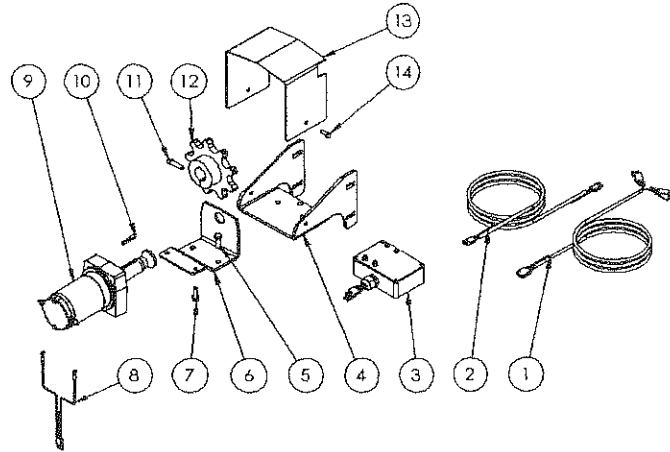
Item #	Description	Part No	Req
1	Main Base	SB21187	1
2	Rotator Motor	519-5117104	1
3	O Ring 3/32x.755id	OL	2
4	Crossover Relief Valve	519-511705	1
5	Elbow	519-9515-10-06	2
6	Socket Head Cap Screw 5/16x1 1/2	OL	4
7	3/8x1 Bolt c/w lw	OL	4
8	Gear	SB21189	1

Select Chute Rotator Manual



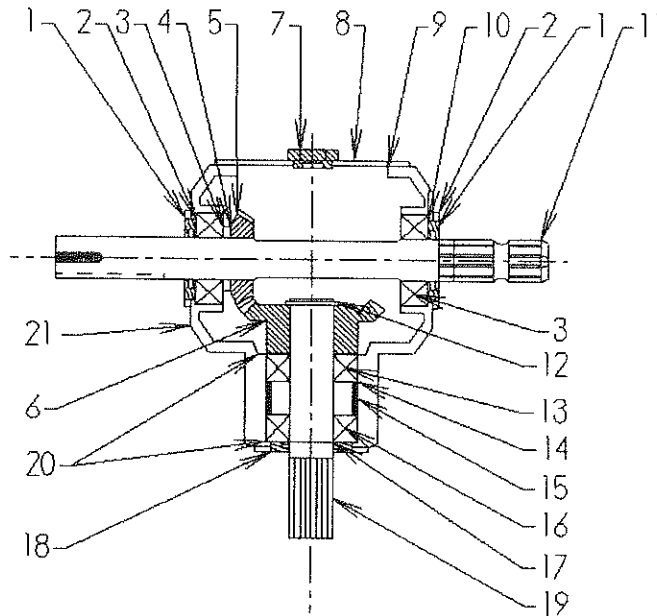
Item #	Description	Part No	Req
1	Main Base	SB31848	1
2	Hose	SB21224	1
3	Heavy Hose Clamp	SB21225	2
4	Lower Crank Stem	SB10261	1
5	Sq Head Set Screw 3/8 x 3/4	OL	1
6	Crank	SB10260	1
7	Crank Bracket Base	SB10259	1
8	Crank Bracket	SB10258	1
9	Bolt 3/8 x 1 1/4 c/w n, lw	OL	2
10	Bolt 1/2 x 1 1/4 c/w n, lw	OL	1
11	Bolt 1/2 x 1 1/2 c/w n, lw	OL	1
12	1/4-28 Grease Fitting	OL	1
13	Gear	SB21221	1
14	Bolt 3/8 x 1 1/4 c/w n, lw, fw	OL	4

Select 12 V Chute Control



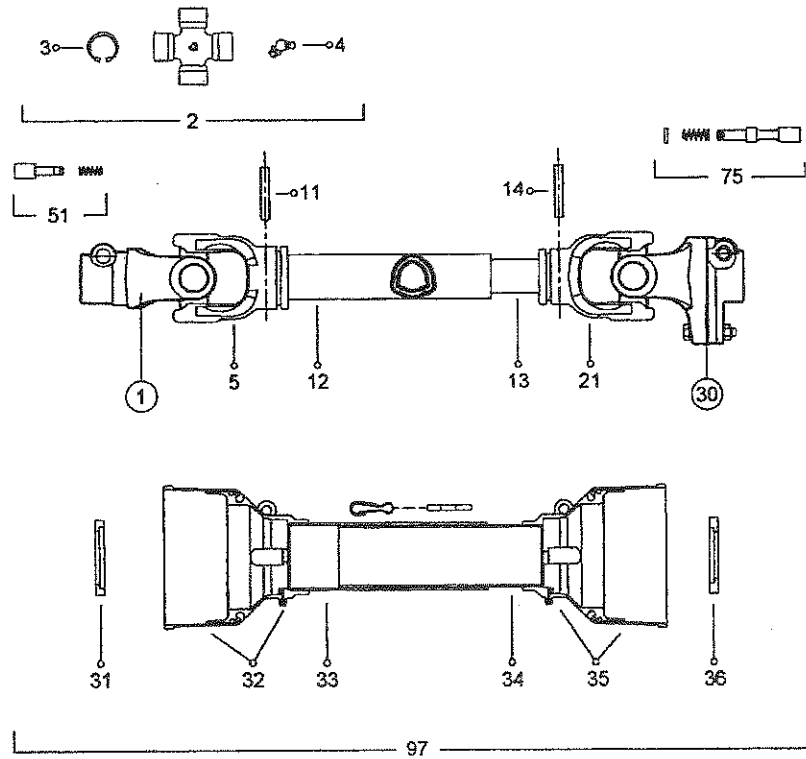
Item No	Description	Part No	Qty
1	Battery Wire	519-6232054	1
2	Control - Motor Wire	519-6231053	1
3	2B Control Box	519-461056	1
4	Rotator Mount	SBS10305	1
5	Bolt 5/16x1 c/w n, lw	OL	2
6	Motor Base	519-21163	1
7	Bolt 5/16x3/4 c/w lw	OL	2
8	Motor Wire	519-6231053	1
9	Motor	519-21159	1
10	Key 1/4sq x 1 1/2	OL	1
11	5/16x11/4 Capscrew c/w lw	OL	1
12	Gear	519-21162	1
13	Shield	SBS10306	1
14	Bolt 1/4 x 3/4 c/w n, lw	OL	2

**75 - 87 - 97 Select Snowblower
Main Gearbox**



T 27D Gearbox			
Item	Description	Part #	Req
1	Double Lip Seal 40x80x12	519-87100748	2
2	Snap Ring	519-85200030	2
3	Bearing 30208	519-80900024	2
4	Shim 515	519-02447500	1
5	Gear Z18 M6.15	519-01325002	1
6	Gear Z18 M6.15	519-02675000	1
7	Plug	519-86500006	2
8	Cover	519-02671300	1
9	Bolt M10 x 14	519-81101031	4
10	Shim 79.7	519-01107500	1
11	Shaft (Thru)	519-02674221	1
12	Snap Ring 40 UN17435	519-85100029	1
13	Bearing 30207	519-80900026	1
14	Snap Ring 72 17437	519-85200131	1
15	Spacer	519-02677100	1
16	Bearing 6207	519-80100025	1
17	Snap Ring UN17435	519-85100005	1
18	Double Lip Seal 35x72x10	519-87100152	1
19	Shaft	519-02672000	1
20	Shim 48.0	519-02597500	2
21	Casing	519-02670301	1

B50 Binacchi PTO



Item No	Description	Part No	Req
1	Tractor Yoke	0800503	1
2	Cross Journal Assy	08205	2
3	Circlip	09802030	8
4	Grease Nipple	09840081002	2
5	Outer Tube Yoke	08005021	1
11	Spring Pin	098700870	1
12	Outer Tube Shaft	09881523100	1
13	Inner Tube Shaft	09881454100	1
14	Spring Pin	098700865	1
21	Inner Tube Yoke	08005011	1
30	Shear Yoke	08805	1
31	Outer Shield Bearing	0265150007	1
36	Inner Shield Bearing	0265150008	1
51	Complete Push Pin	0986014047	1
75	Push Pin Set	0986014075	1
76	Shear Bolt	0990110050B	1
97	Safety Guard	083E02093	1

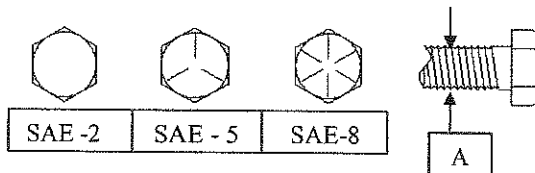
Bolt Torque
As used on this equipment

Bolt torque table shown below gives torque values for the various bolts used. This chart is for non-lubricated threads. Replace with the same strength bolt.

Torque Specifications. Torque values are identified by their head markings

Diameter	SAE 2		SAE 5		SAE 8	
	Lb-ft	N.m	Lb-ft	N.m	Lb-ft	N.m
1/4	6	(8)	9	(12)	12	(17)
5/16	10	(13)	19	(25)	27	(36)
3/8	20	(27)	33	(45)	45	(63)
7/16	30	(41)	53	(72)	75	(100)
1/2	45	(61)	80	(110)	115	(155)
5/8	95	(128)	160	(215)	220	(305)
3/4	165	(225)	290	(390)	400	(540)
1	225	(345)	630	(850)	970	(1320)

Allen head cap screws are similar to SAE 8 quality.



These torques are for a reference only. Not all these sizes and grades are necessarily used in this machine. Bolts that are used as a pivot or hinge have to be used with a locknut, therefore only tighten enough to secure the bolt and still allowing the part to rotate freely.

75"-87"-97" Select Snowblower

Maintenance

- PTO Shearbolt – 10x55 mm 8.8
- Auger Shearbolt – 5/16 x 1-1/4" Gr #2
- Auger Drive Chain Tightener – tighten chain allowing 1/4" sag in the bottom span of chain (between drive and driven sprocket).

Lubrication

- Gearbox- check oil level every 50 hours. Fill to oil level plug (middle of gearbox) with SAE 90 gear oil. SAE 80W90 gear oil may also be used.
- Auger and Shear Sprocket Bearing – grease sparingly every 50 hours. (By using too much grease you will push the seals off the bearing).
- PTO Shaft – grease every 10 hours. Pull apart and apply grease to the sliding members. Grease the yoke bearings at this time as well.
- Discharge chute mount – occasionally squirt oil on the plastic ring (this may extend the life of the plastic ring and will operate smoother).
- Auger Chain – apply oil on a regular basis especially after using the snowblower.

Storing the Meteor Snowblower in the off season

- At the end of the season lubricate the Bearings, PTO shaft, Discharge chute mount and Auger chain before storing it.

Notes

Part numbers – Abbreviations

O/L – obtain locally

N --- Nut

LW- Lockwasher

- All fasteners are Grade #2 unless otherwise specified.
- Customer supplies hydraulic cylinder. (8" stroke agricultural cylinder)

